



USER MANUAL

GoMax ORIN, ORIN+, NX Smart Vision Accelerator

Software version: GoPxL 1.4.x.x

Document revision: A

Copyright

Copyright © 2025 by LMI Technologies, Inc. All rights reserved.

Proprietary

This document, submitted in confidence, contains proprietary information which shall not be reproduced or transferred to other documents or disclosed to others or used for manufacturing or any other purpose without prior written permission of LMI Technologies Inc.

No part of this publication may be copied, photocopied, reproduced, transmitted, transcribed, or reduced to any electronic medium or machine readable form without prior written consent of LMI Technologies, Inc.

Trademarks and Restrictions

GoMax™ and Gocator™ are registered trademarks of LMI Technologies, Inc. Any other company or product names mentioned herein may be trademarks of their respective owners.

Information contained within this manual is subject to change.

Contact Information

LMI Technologies, Inc.
9200 Glenlyon Parkway
Burnaby BC V5J 5J8
Canada

Telephone: +1 604-636-1011


Fax: +1 604-516-8368


www.lmi3d.com

Table of Contents

| | |
|--|-----------|
| Copyright | 2 |
| Table of Contents | 3 |
| Introduction | 4 |
| Interface Overview | 6 |
| Safety and Maintenance | 8 |
| Electrical Safety | 8 |
| Cleaning and Maintenance | 8 |
| Environment | 9 |
| Hardware Overview | 10 |
| Protocol Support | 12 |
| Adding GoMax to a Sensor System | 13 |
| Connecting Power | 14 |
| Setting the IP Address | 15 |
| Discovering a GoMax IP Address | 18 |
| Mounting | 20 |
| Using DIN Rail Clips | 20 |
| Mounting to a Wall or Frame | 21 |
| Connecting GoMax to a Sensor System | 22 |
| Using GoMax | 25 |
| Accessing the GoMax Unit | 26 |
| Starting and Stopping Acceleration | 28 |
| Accelerating a Sensor | 28 |
| Stopping Acceleration | 31 |
| Upgrading and Restoring GoMax | 33 |
| Monitoring the GoMax Health Status | 35 |
| Specifications | 36 |
| GoMax NX | 38 |
| GoMax ORIN | 42 |
| GoMax ORIN+ | 44 |
| Troubleshooting | 46 |
| Return Policy | 47 |
| Software Licenses | 48 |
| Support | 51 |
| Contact | 52 |

Introduction


 GoMax ORIN and ORIN+ are only compatible with Gocator firmware 6.4 and later, or GoPxL 1.1.51.x and later.


 GoMax NX is *only* compatible with Gocator firmware 6.1 SR1 (firmware version 6.1.29.3) and later or GoPxL 1.0 and later. Loading an earlier firmware version will make the device unusable.

In this document, we will use the term "GoMax" or "GoMax unit" to refer to GoMax ORIN, ORIN+, or NX.

Notational Conventions

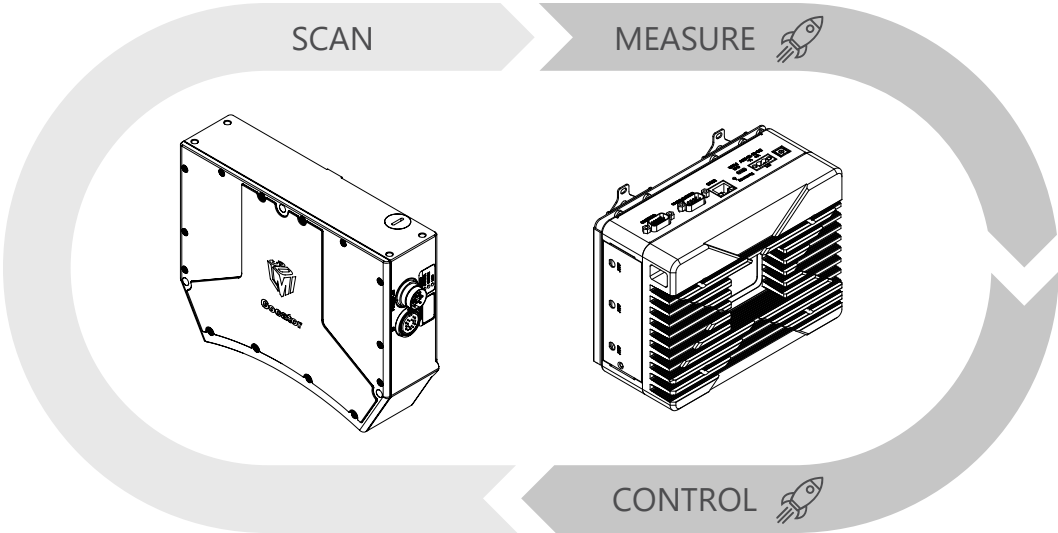
This documentation uses the following notational conventions:

 Follow these safety guidelines to avoid potential injury or property damage.

 Consider this information in order to make best use of the product.

The GoMax Smart Vision Accelerator is a hardware solution that accelerates any Gocator sensor to meet inline production speeds, without the need for a PC. The plug and play functionality of GoMax lets you quickly and easily add powerful data processing to a Gocator system, achieving faster cycle times and enhancing overall inspection performance.

To accelerate sensors, GoMax takes over a portion of the sensor's data processing (data generation, 3D measurement, and control).



Relationship between GoMax (right) and a sensor (left)

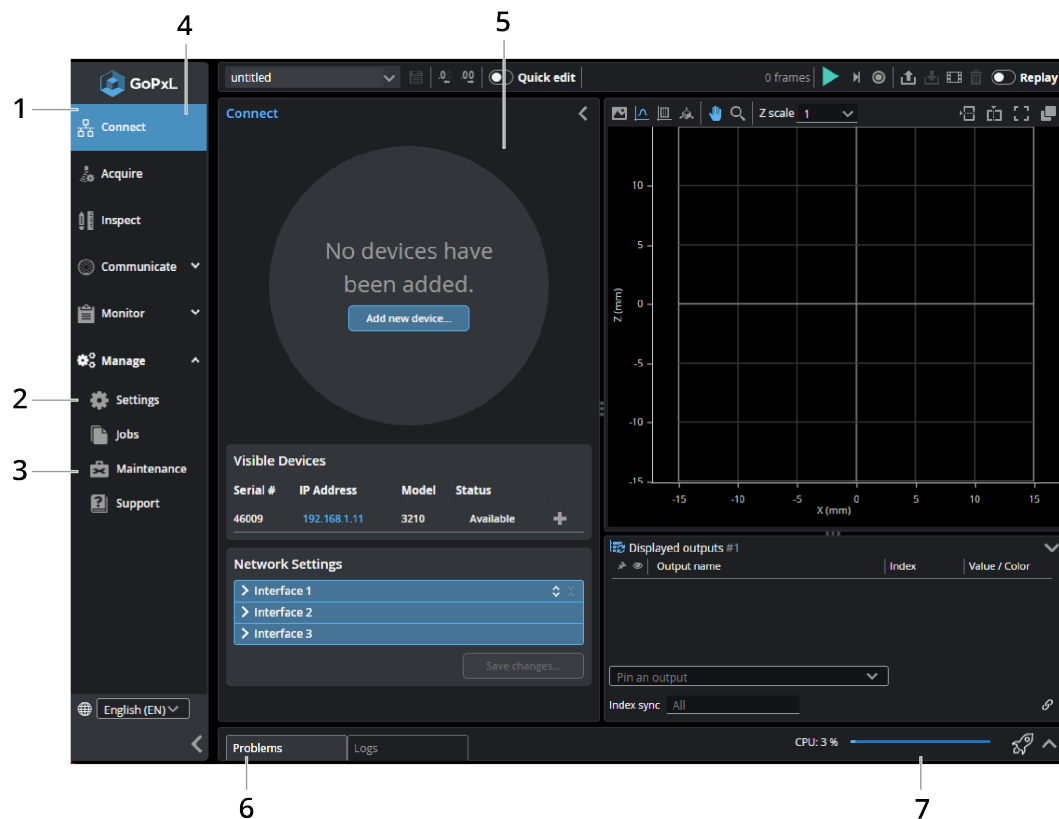
GoMax is ideal for accelerating a single Gocator snapshot sensors (such as Gocator 3506) or multi-sensor Gocator laser or confocal line profile sensor systems.

The Ethernet-based output protocols (Gocator, EtherNet/IP, ASCII, Modbus, and PROFINET) are also identical to those found on an unaccelerated sensor, and are fully supported.

The web interface on an accelerated sensor is identical to the interface on an unaccelerated sensor. For this reason, after you have configured GoMax, you should refer to the GoPXL user manuals, available on LMI's website.

Interface Overview

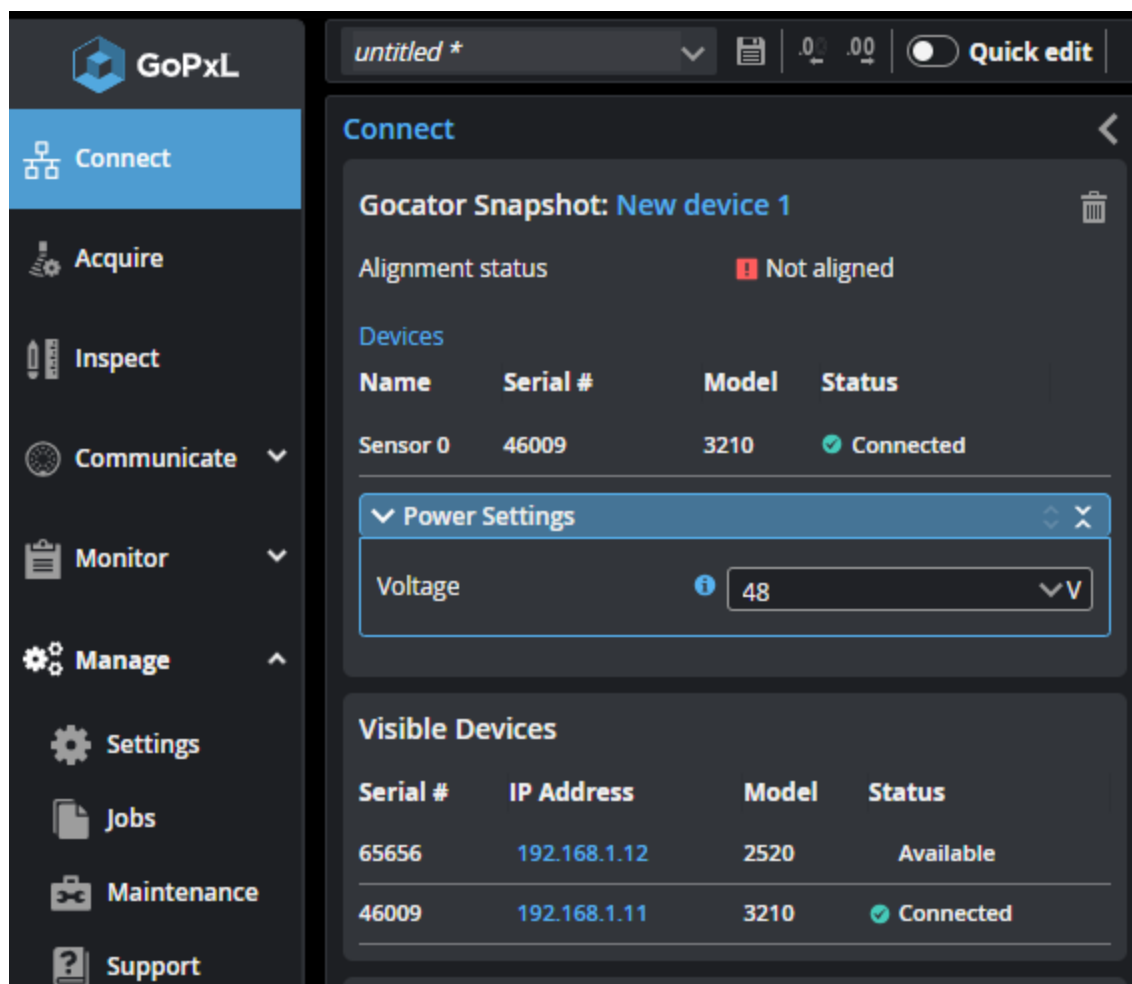
As with Gocator sensors, you configure GoMax using a web interface.



Click the icons along the left of the web interface (in the nav bar) to switch between pages that contain a high-level grouping of settings and functionality.

| Element | Description |
|--------------------|---|
| 1 Connect page | Lets you connect sensors to GoMax, which starts accelerating the sensors. For more information, see <i>Starting and Stopping Acceleration</i> on page 28. For information on configuring multi-sensor layouts, see the GoPxL user manuals. |
| 2 Settings page | Contains settings for configuring the network address of the GoMax unit. For more information, see <i>Setting the IP Address</i> on page 15. |
| 3 Maintenance page | Lets you upgrade firmware and perform a factory restore of the GoMax unit. For more information, see <i>Upgrading and Restoring GoMax</i> on page 33. |
| 4 Nav bar | An expandable area that gives you access to different pages you use to configure sensors. |

| Element | Description |
|---------|---|
| 5 | <p>Connected sensor or sensors</p> <p>Sensors connected to the GoMax unit are listed here. The status of connected sensors is listed as "Connected."</p> <p>All sensors visible to the GoMax are listed in the Visible Devices section, along with status information for each sensor..</p> |



| | | |
|---|--------------------|---|
| 6 | System messages | Provides important GoMax metrics. The "rocket" icon indicates that the GoMax is an accelerating device. |
| 7 | CPU Load and Speed | Displays log messages from the GoMax unit. |

The web interface on an accelerated sensor is identical to the interface on an unaccelerated sensor. The Ethernet-based output protocols (Gocator, EtherNet/IP, ASCII, Modbus, PROFINET) are also identical to those found on an unaccelerated sensor, and are fully supported.

Safety and Maintenance

The following sections describe the safe use and maintenance of GoMax vision accelerators.



GoMax ORIN and ORIN+ are only compatible with Gocator firmware 6.4 and later, or GoPxL 1.1.51.x and later.



GoMax NX is *only* compatible with Gocator firmware 6.1 SR1 (firmware version 6.1.29.3) and later or GoPxL 1.0 and later. Loading an earlier firmware version will make the device unusable.

Electrical Safety



Failure to follow the guidelines described in this section may result in electrical shock or equipment damage.

Sensor systems that GoMax is connected to should be connected to earth ground

All sensors in the system should be connected to earth ground through their housing. All sensors should be mounted on an earth grounded frame using electrically conductive hardware to ensure the housing of the sensor is connected to earth ground. Use a multi-meter to check the continuity between the sensor connector and earth ground to ensure a proper connection.

Minimize voltage potential between system ground and sensor ground

Care should be taken to minimize the voltage potential between system ground (ground reference for I/O signals) and sensor ground. This voltage potential can be determined by measuring the voltage between Analog_out- and system ground. The maximum permissible voltage potential is 12 V but should be kept below 10 V to avoid damage to the serial and encoder connections.

Use the power supply provided with the unit

If the power supply or cords get damaged, contact LMI Technologies for a replacement.

Use care when handling powered devices

Wires connecting to the GoMax unit should not be handled while the unit is powered. Doing so may cause electrical shock to the user or damage to the equipment.

Cleaning and Maintenance

Keep heatsink fins clear and clean

To avoid overheating of the GoMax unit, make sure the unit's heatsink fins are clean and clear.

Environment

Avoid installing the GoMax unit in hazardous environments

To ensure reliable operation and to prevent damage to the GoMax unit, avoid installing the unit in locations

- that are humid, dusty, or poorly ventilated;
- with a high temperature, such as places exposed to direct sunlight;
- where there are flammable or corrosive gases;
- where the unit may be directly subjected to harsh vibration or impact;
- where water, oil, or chemicals may splash onto the unit;
- where static electricity is easily generated.

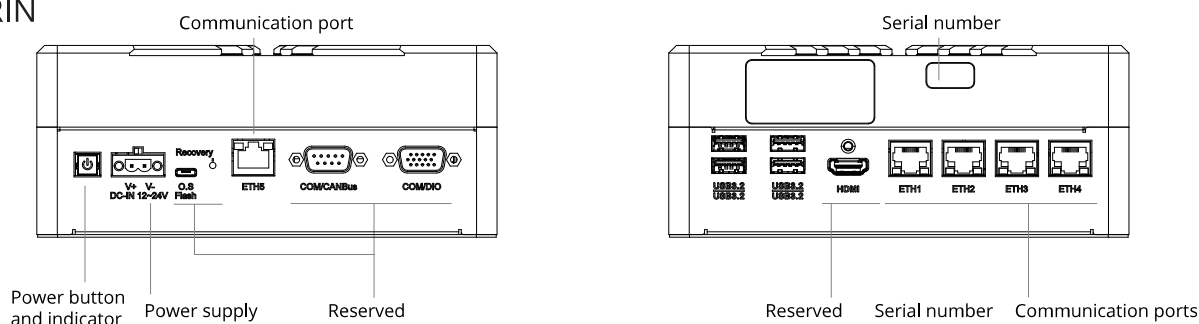
Ensure that ambient conditions are within specifications

GoMax units are suitable for operation between -15 and 55 degrees Celcius.

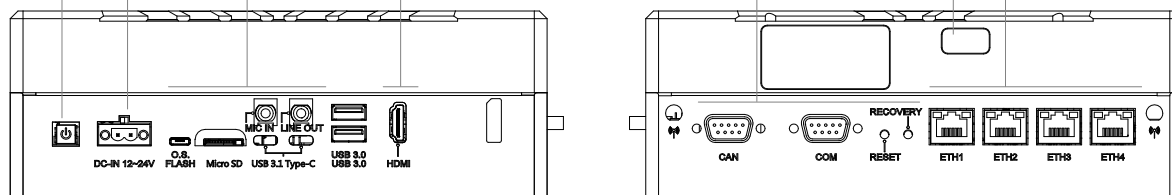
Hardware Overview

The following illustrates the physical features of GoMax ORIN and ORIN+ units.

ORIN



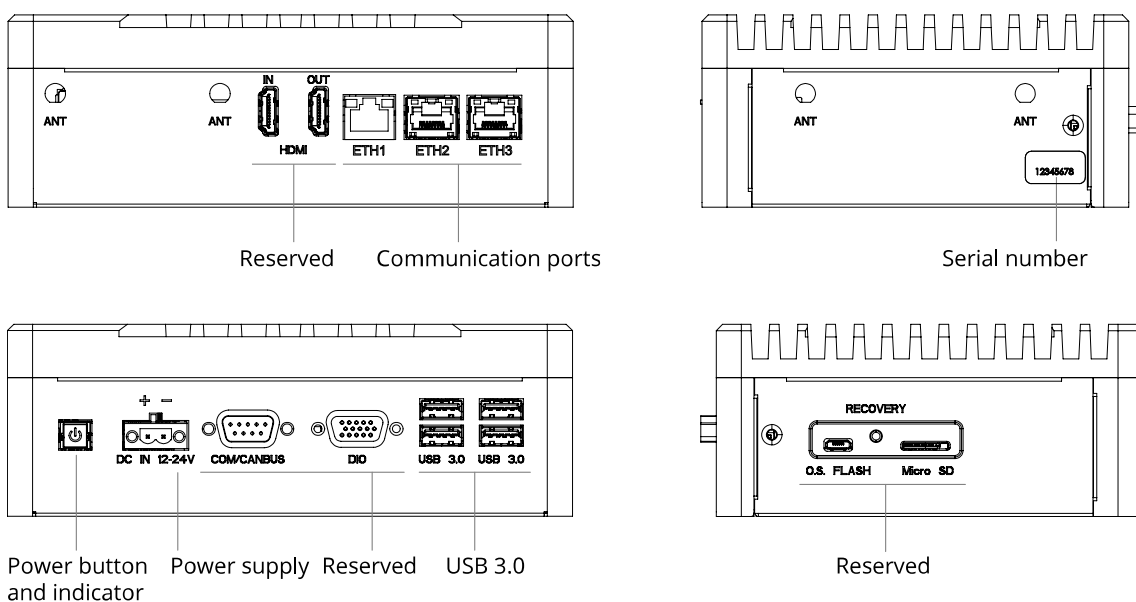
ORIN+



| Item | Description |
|----------------------------|---|
| HDMI | Reserved for future use. |
| ETH1 | Ethernet port for PCs and PLCs <i>only</i> . You can directly connect a PC for the initial configuration or connect the GoMax unit to the sensor system via a switch. By default, this port's IP address is 192.168.1.6. |
| ETH2 | Ethernet ports. You can connect sensors to these ports. The following are their default IP addresses. |
| ETH3 | |
| ETH4 | ETH2: 192.168.2.6 |
| ETH5 (ORIN only) | ETH3: 192.168.3.6 |
| | ETH4: 192.168.4.6 |
| | ETH5 (ORIN only): 192.168.5.6 |
| Power Button and Indicator | Powers the device on and off. Illuminated when power is applied (green). |
| DC IN 12-24V | Accepts a Phoenix connector for the provided power supply. |
| OS Flash | USB C port. Reserved for future use. |
| Micro SD (ORIN + only) | Reserved for future use. |
| COM / CANBus | Reserved for future use. |
| COM / DIO | Reserved for future use. (Digital outputs on <i>sensors</i> are supported and configurable by |

| Item | Description |
|--------------------------|------------------------------------|
| | GoMax.) |
| MIC IN | Reserved for future use. |
| LINE OUT (ORIN+ only) | |
| USB ports | Used for a GoPxL Pro Tools dongle. |
| Ant | Reserved for future use. |
| Serial Number | Unique sensor serial number. |
| Recovery button | Reserved. |

The following illustrates the physical features of a GoMax NX unit.



| Item | Description |
|----------------------------|---|
| HDMI IN / OUT | Reserved for future use. |
| ETH1 | Ethernet port. For direct connection to a PC for the initial configuration and to connect the GoMax unit to the sensor system via a switch. PCs and PLCs can only be connected to the ETH1 port. |
| ETH2 | Ethernet port. Sensors can be connected to this port. |
| ETH3 | Reserved for future use. |
| Power Button and Indicator | Powers the device on and off. Illuminated when power is applied (green). |
| DC IN 12-24V | Accepts a Phoenix connector for the provided power supply. |
| COM / CANBus | Reserved for future use. |
| DIO | Reserved for future use. |
| USB 3.0 | Used for a GoPxL Pro Tools dongle. |

| Item | Description |
|-----------------|--------------------------------------|
| Ant | Reserved for future use. |
| Serial Number | Unique sensor serial number. |
| OS Flash | USB C port. Reserved for future use. |
| Recovery button | Reserved. |
| Micro SD | Reserved for future use. |

For dimensions and mounting hole specifications, see *Specifications* on page 36.

Protocol Support

GoMax supports protocols for communicating with sensors over Ethernet (TCP/IP) and serial output.

Protocols available over Ethernet

- Gocator
- Modbus
- EtherNet/IP
- ASCII
- PROFINET

For an overview of the Ethernet ports used by sensors, see *Required Ports* in the user manual of your sensor.

Adding GoMax to a Sensor System

LMI recommends adding GoMax to a sensor system that is already fully set up and configured. For information on setting up a sensor system, see the user manual of the sensors used in the system.

Follow the instructions in the following sections to install and perform the initial configuration of a GoMax unit.



Sensors you intend to accelerate using GoMax NX must be running GoPxL 1.0 or higher. For GoMax ORIN or ORIN+, sensors must be running firmware 1.1.50.x or later.

Connecting Power

Power is provided by the included power supply. The plug type depends on the region in which you are using the unit.

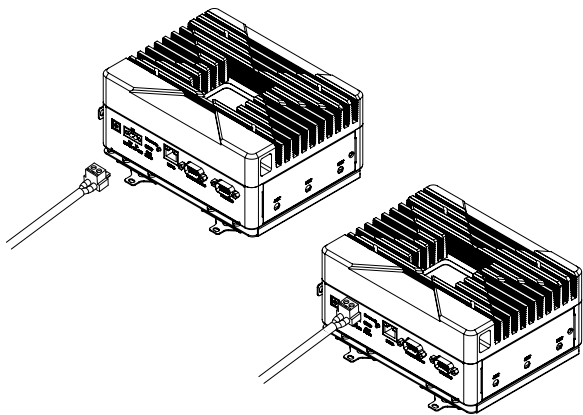


Use *only* the provided power supply with the GoMax unit. Using a higher voltage power supply will damage the unit.

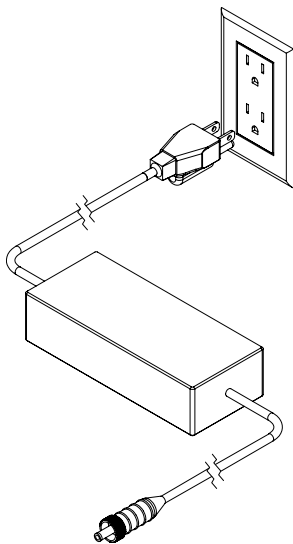
LMI recommends powering up the GoMax unit and performing the initial configuration of the unit before physically connecting it to the sensor system.

To connect power:

1. Connect the power supply connector to the unit.



2. Plug the power adapter into an available electrical outlet.




An LED indicator on the unit lights when power is applied.

The unit is ready for initial configuration (setting an IP address).

Setting the IP Address

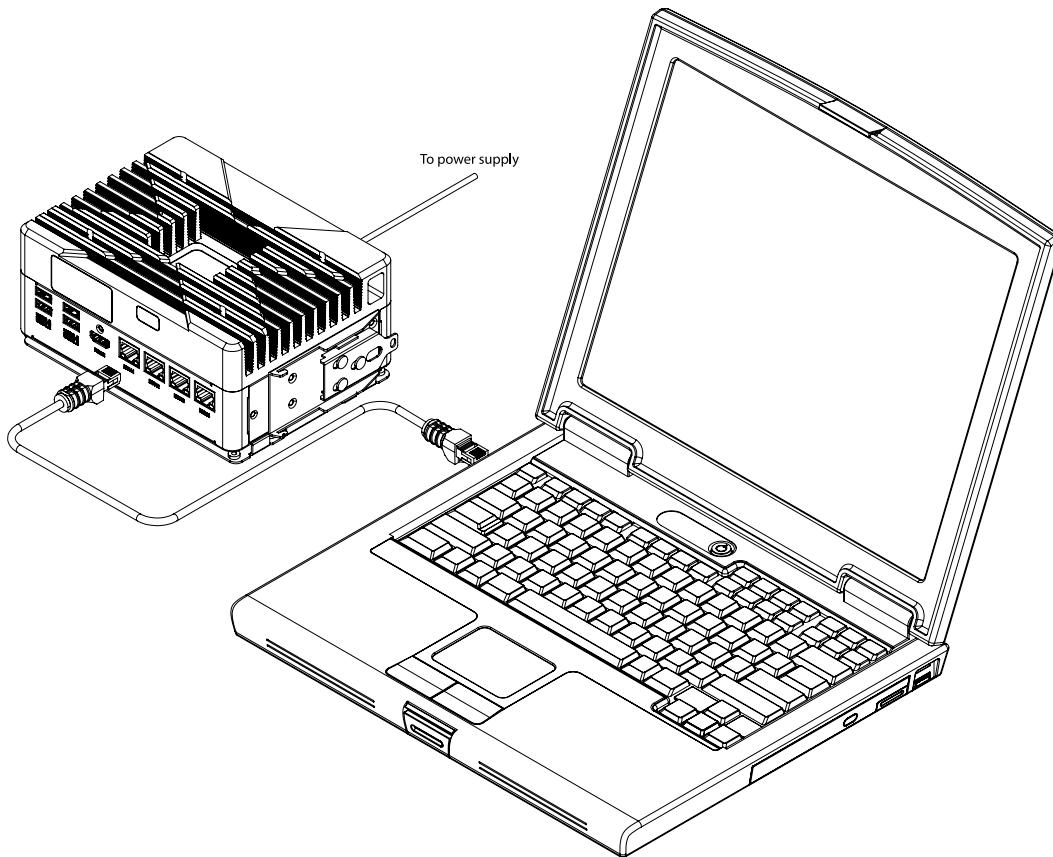
Each GoMax unit and Gocator sensor on the sensor system network must have a unique IP address. By default, the IP addresses of the GoMax unit's ETH1 Ethernet port is set to 192.168.1.6, the ETH2 port is set to 192.168.2.6, and so on.

If these addresses conflict with sensors in your sensor system, or if your system will contain multiple GoMax units, you will have to set the IP addresses of each GoMax unit to avoid conflicts.

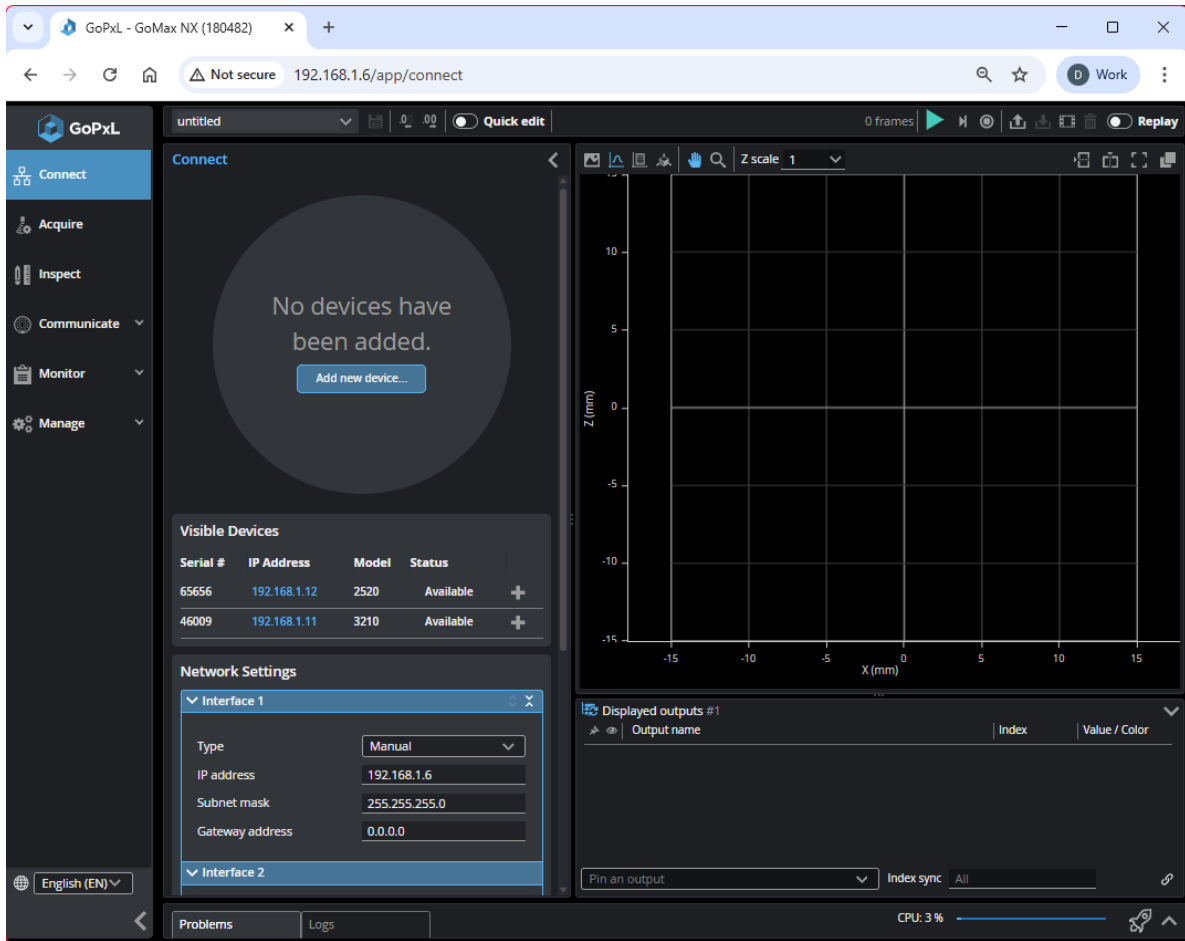
 LMI recommends against having more than one port on the same subnet. So for example, you should not set ETH2 and ETH3 to 10.0.2.5 and 10.0.2.6, respectively. Instead, make sure that each port is assigned to a different subnets, such as 10.0.2 and 10.0.3.

To set the IP address of a GoMax unit:

1. Using an Ethernet cable, first connect a computer directly to the ETH1 port on the GoMax unit.

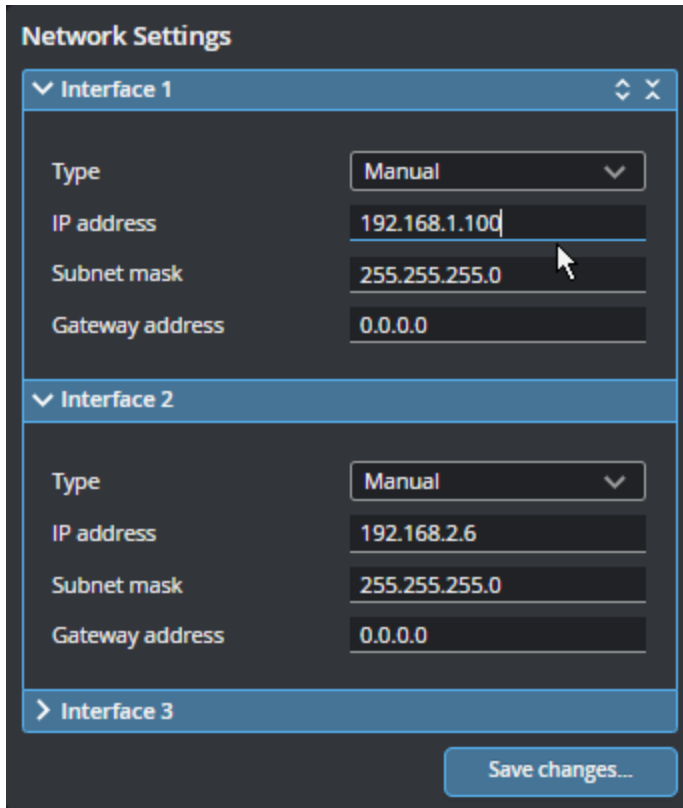


2. On the computer, launch a browser and go to 192.168.1.6.
The GoMax web interface is displayed.



If you can't connect to the GoMax unit, or if you don't know what the unit's IP address is, follow the instructions in *Discovering a GoMax IP Address* on page 18.

3. On the **Connect** page, in the **Network Settings** section, expand **Interface 1**.
4. Under **Interface 1** or **Interface 2**, set the IP address and click **Save Changes**.



The GoMax unit restarts after you confirm you want to continue with the changes. Changing network settings stops the acceleration of any accelerated sensors.

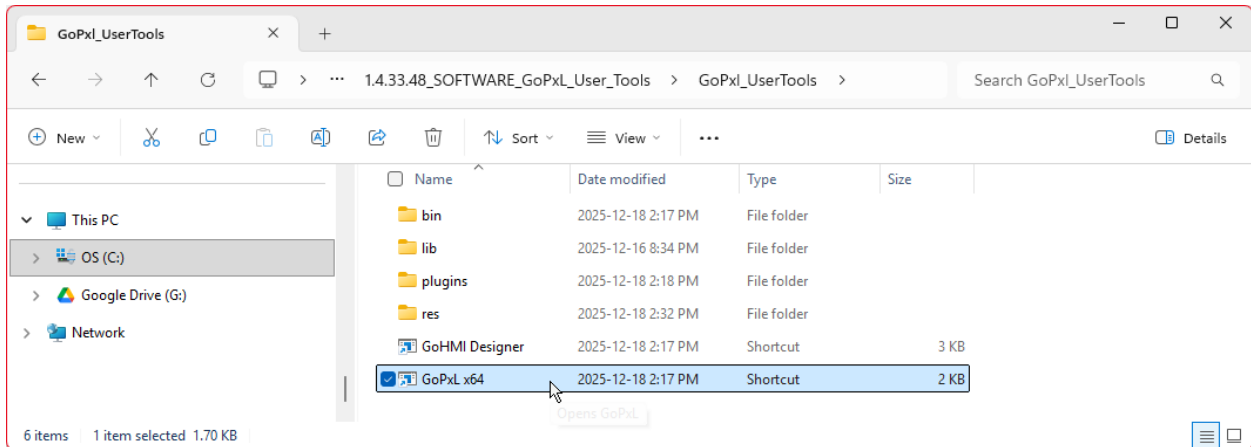
After the GoMax unit restarts, its IP address is changed.

5. Disconnect the laptop from the GoMax unit.

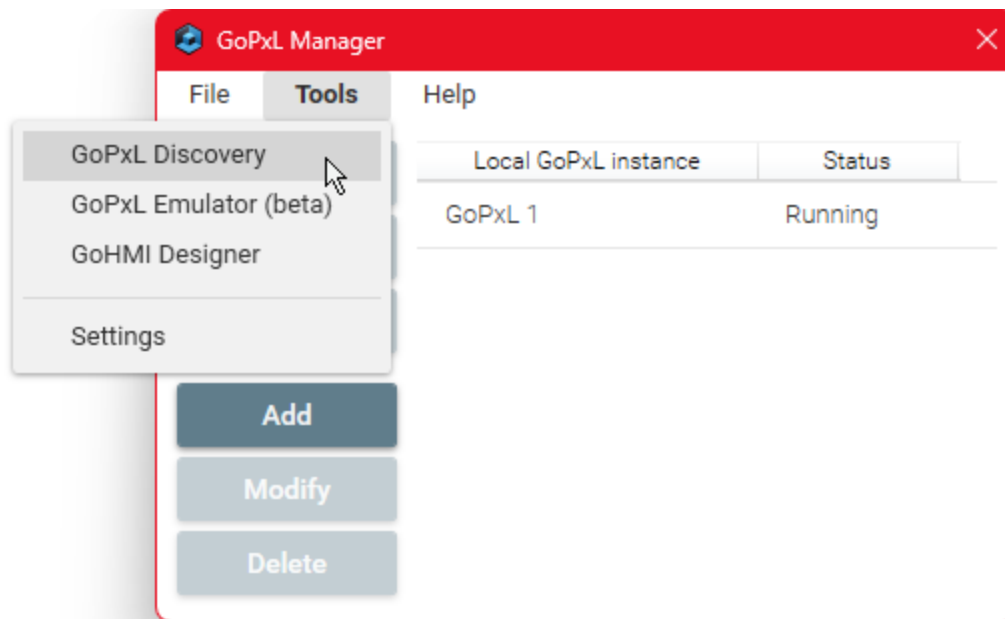
Discovering a GoMax IP Address

If you can't find or connect to a GoMax unit, use the GoPxL Discovery tool to find it on your network. The tool is available through the GoPxL Manager tool in the GoPxL utilities package 14631-x.x.x.x_SOFTWARE_GoPxL_Utilities.zip, from LMI's website.

To launch the Discovery tool, first launch the PC version of GoPxL:



Then, in GoPxL Manager, click **Tools > GoPxL Discovery**.



You identify a GoMax unit by looking in the **Device type** column, for example, for "NX". The IP address is in the next column

GoPxL Discovery

180482

Use DHCP

Address 192.168.1.6

Mask 255.255.255.0

Gateway 0.0.0.0

Restore Defaults Apply

| Device/Application name | Device type | IP address | Version | Application ID | Control port | Web port | GDP port |
|-------------------------|-------------|----------------|-----------|-----------------|--------------|----------|----------|
| 180482 | NX | 192.168.1.6 | 1.4.33.48 | gomax-180482 | 3600 | 80 | 3601 |
| 46009 | 3210 | 192.168.1.11 | 1.4.33.48 | sensor-46009 | 3600 | 80 | 3601 |
| 65656 | 2520 | 192.168.1.12 | 1.4.33.48 | sensor-65656 | 3600 | 80 | 3601 |
| GoPxL 1 | | 192.168.218.44 | 1.4.33.48 | 8196501...69096 | 3600 | 8100 | 3601 |

Launch GUI

Restart Device

Factory Restore Status: OK

Auto refresh Refresh Table

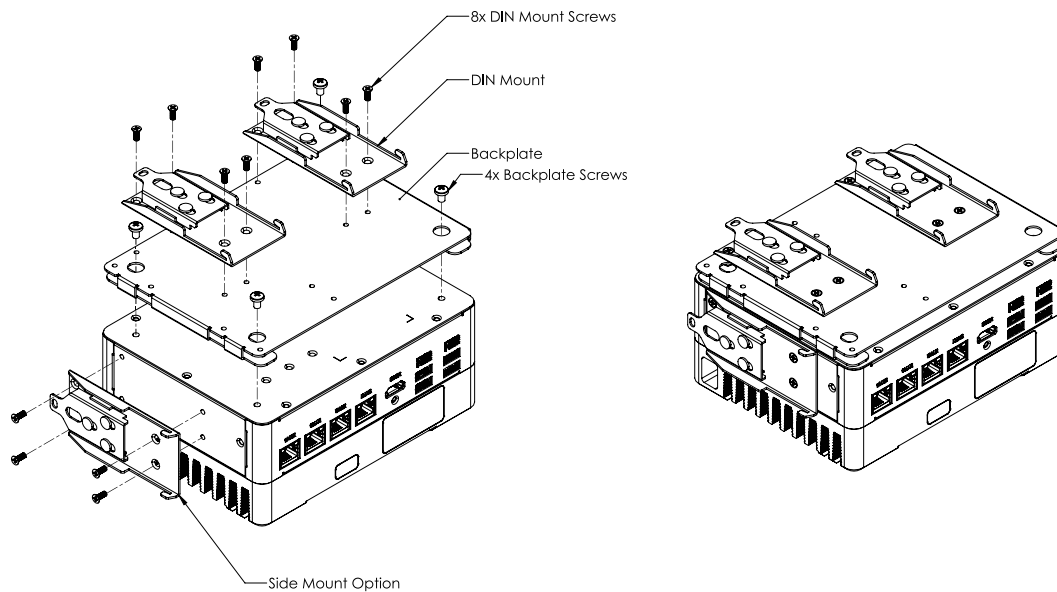
Mounting

You can mount GoMax units to a DIN rail or directly to a wall or frame using the provided mounting hardware.

Using DIN Rail Clips

LMI provides a DIN rail clip plate, a DIN rail clips, and screws to mount the GoMax unit on a DIN rail.

The plate lets you mount the unit in different orientations, using different sets of standoffs. Attach the DIN rail clip plate to the back of the GoMax unit, and attach the DIN rail clip to the plate in the required orientation. You can also mount the DIN rail clip on the side of the unit.



For dimensions of the unit with the DIN rail clip attached, see *Rear DIN rail mount dimensions* on page 39.

Mounting to a Wall or Frame

LMI also provides wall mount brackets to mount the GoMax unit directly on a wall or to a frame. To use the wall mount brackets, remove the DIN rail clip plate from the back of the unit, and attach the wall mount brackets to the back of the unit using the provided screws. Make sure that the unit is securely fastened to the wall.

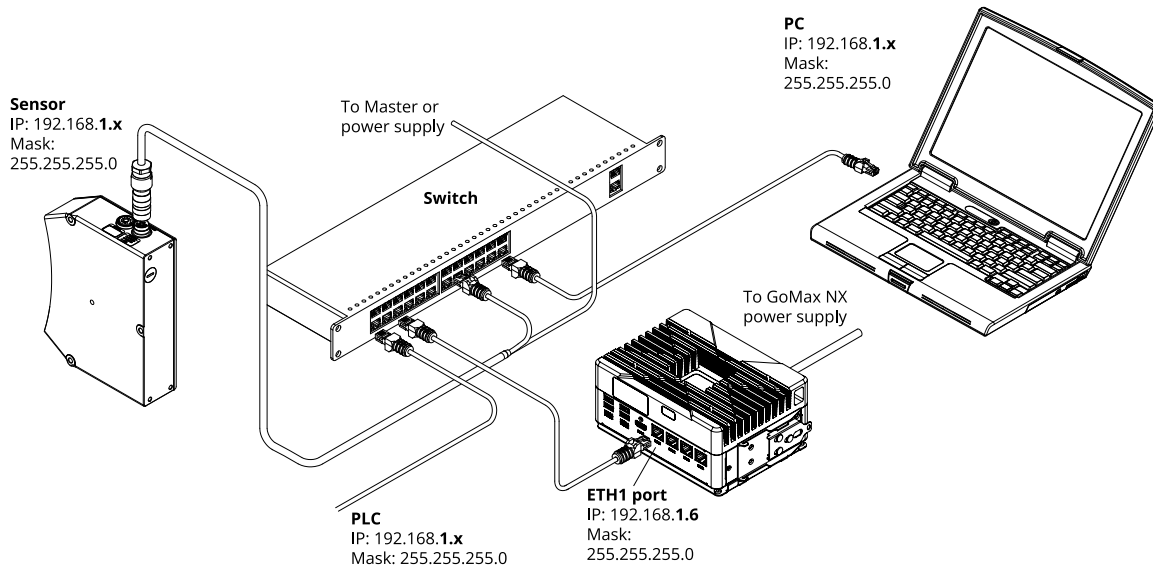
Connecting GoMax to a Sensor System

GoMax provides a model-dependent number of Ethernet ports. (The third port on GoMax NX is not used.) You use one or more to connect the parts of your system (PCs, sensors, and PLCs) to the GoMax device. Depending on your application, you may need one or more switches.

You can connect PCs and PLCs *only* to the ETH1 port. You can connect sensors to any Ethernet port. Note however that the ports must use different network IDs, for example *192.168.1.x* for PCs/PLCs and *192.168.2.x* for sensors.

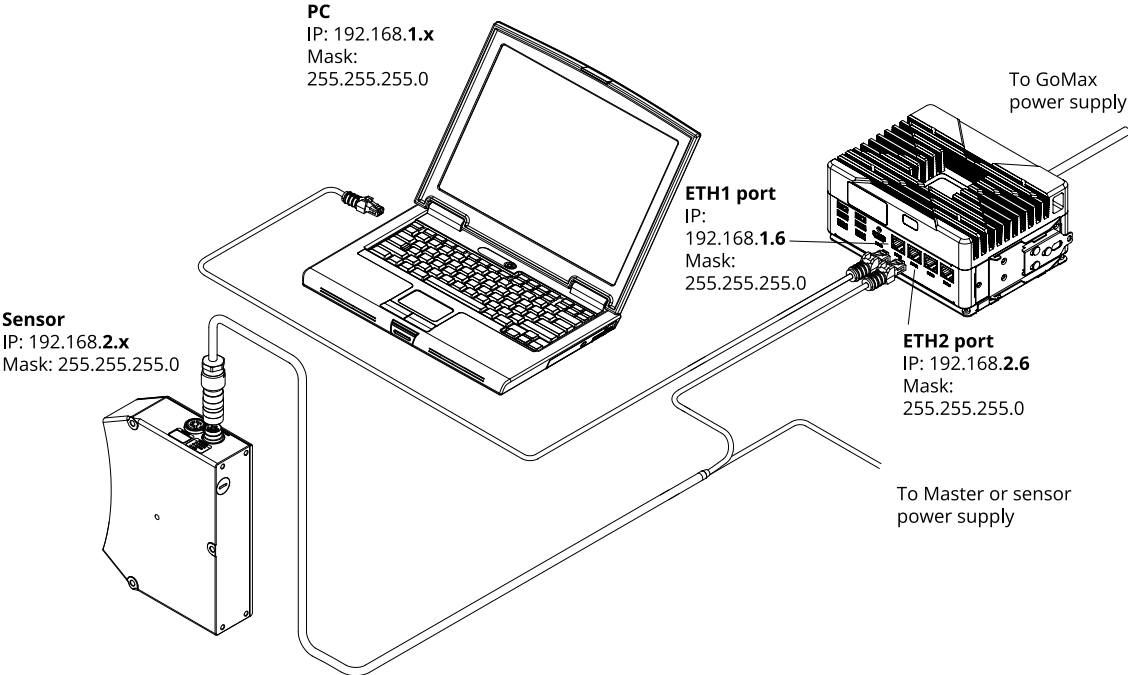
When sensors are connected to ETH2 and PCs and PLCs are connected to ETH1, the sensors are isolated from the rest of the devices in the system, and a PC will not be able to see a sensor when it is not accelerated. For the PC to see the sensor, you will need to connect it directly to the PC, and temporarily change the network ID of one of the devices (preferably the PC) so that they match. For information on setting the IP addresses of GoMax, see *Setting the IP Address* on page 15. For information on setting a sensor's IP address, see the sensor's user manual. For more information on using isolated layouts, see below.

The easiest way to connect and access a GoMax device is using a switch, and connecting all devices to the switch. This avoids isolating the PC and sensor, as well any PLCs you may be using.

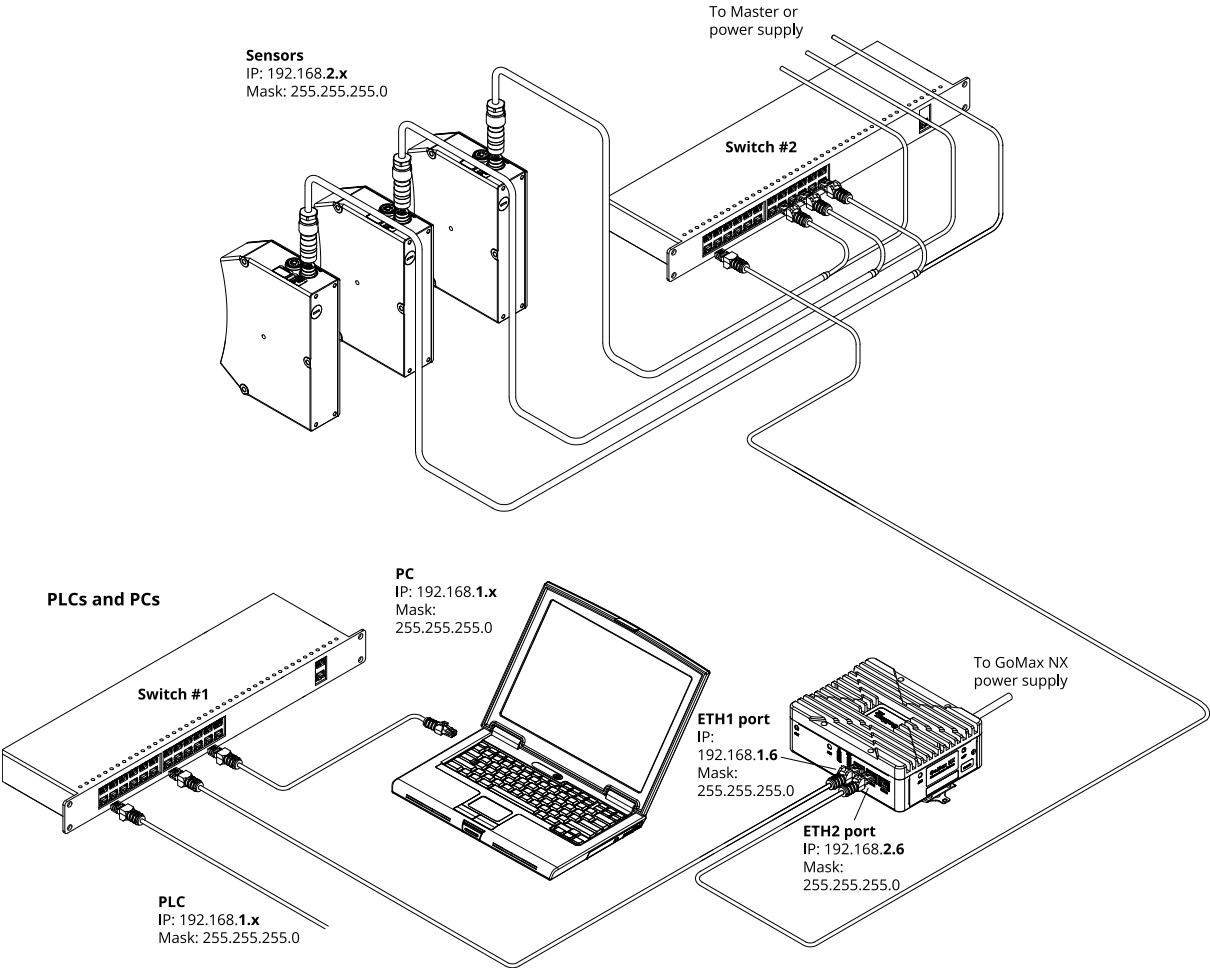


Using an isolated network can be useful if you need to control the visibility of the sensors over the network or adhere to network requirements or regulations. To access an unaccelerated sensor from the PC, you'll have to temporarily unplug it from its Ethernet port and connect it directly to the PC (changing the PC's network interface to match the sensor's). You'll then have to change it back after you've finished.

For simple systems (a single sensor and a PC, but no PLCs), you can connect the PC directly to the ETH1 port, and connect the sensor directly to another Ethernet port.



If you need to isolate multiple sensors from other parts of a network, you can use a second switch. Remember to connect PLCs and PCs *only* to the ETH1 port. Connect sensors to the any of the other Ethernet ports.



Using GoMax

The following sections describe how to access and configure GoMax using its web interface, how to start and stop sensor acceleration, and more.

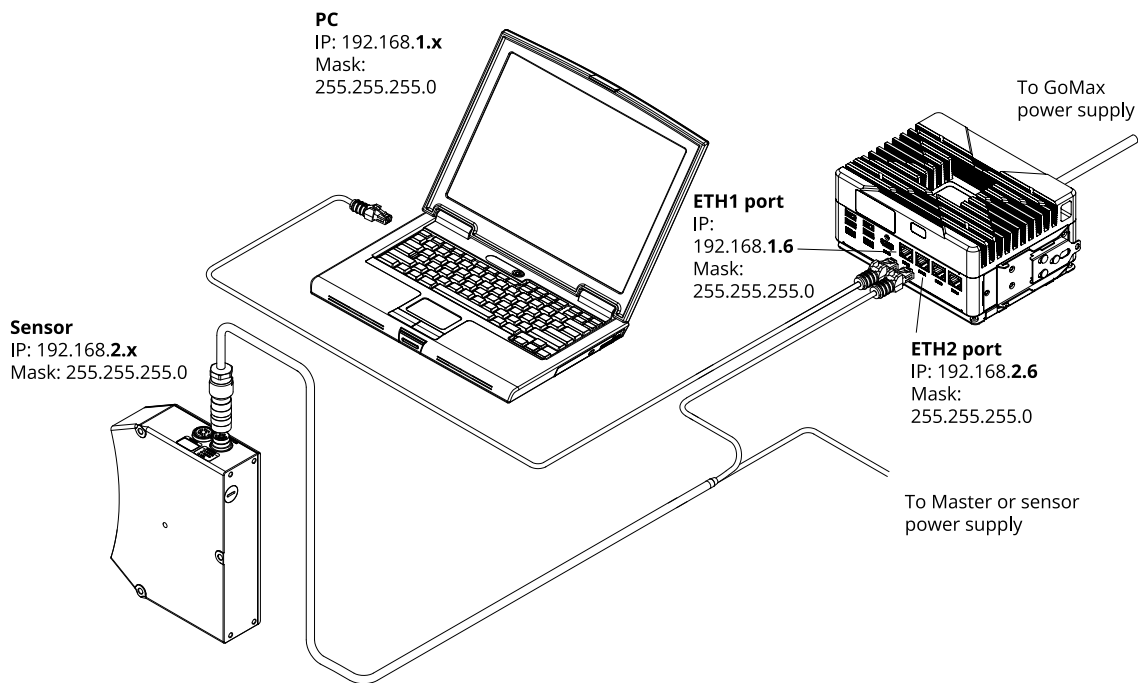
Accessing the GoMax Unit

To access the GoMax vision accelerator's web interface, you can use a web browser. LMI recommends Chrome, Firefox, or Edge.

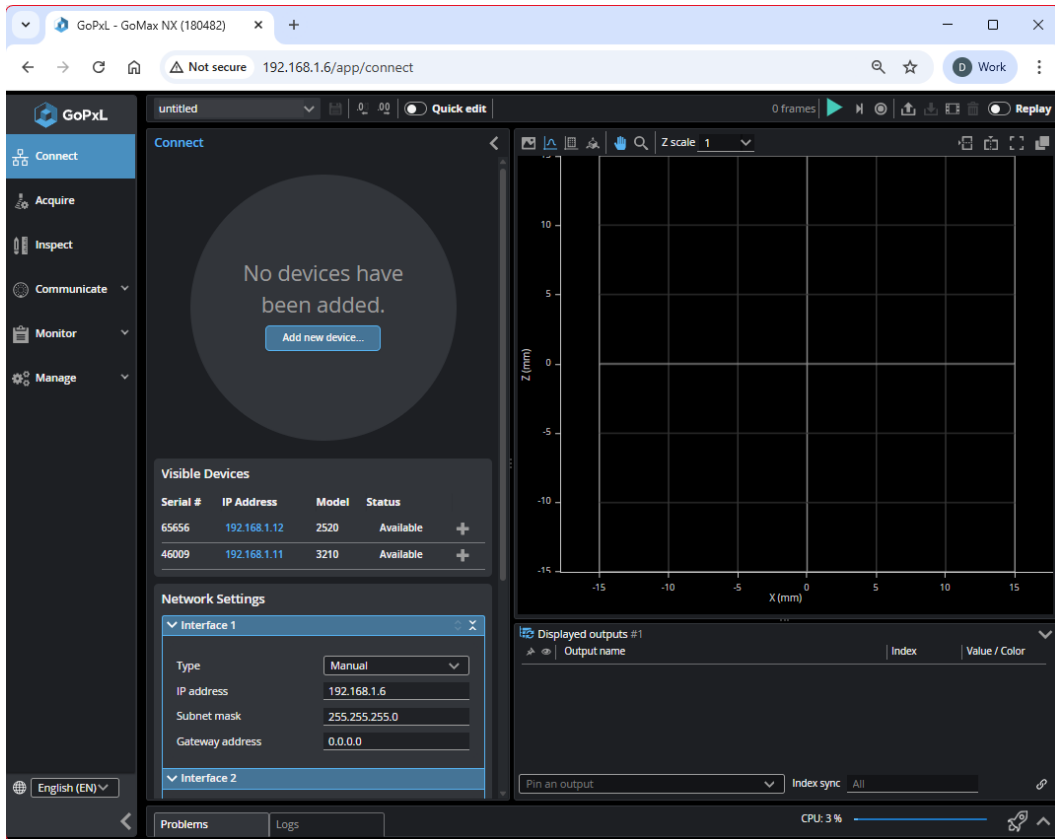
If you are unable to connect to a GoMax unit, see *Discovering a GoMax IP Address* on page 18.

To access a GoMax unit:

1. If the GoMax unit is not powered up, connect the power supply to the GoMax unit and turn it on.
For more information, see *Connecting Power* on page 14.
2. Connect a computer to the switch using an Ethernet cable.



3. On the computer, using a web browser, connect to the GoMax web interface using the unit's IP address.
The GoMax web interface is displayed. The **Settings** page is preselected.



You are now ready to start accelerating sensors; for more information, see *Starting and Stopping Acceleration* on the next page.

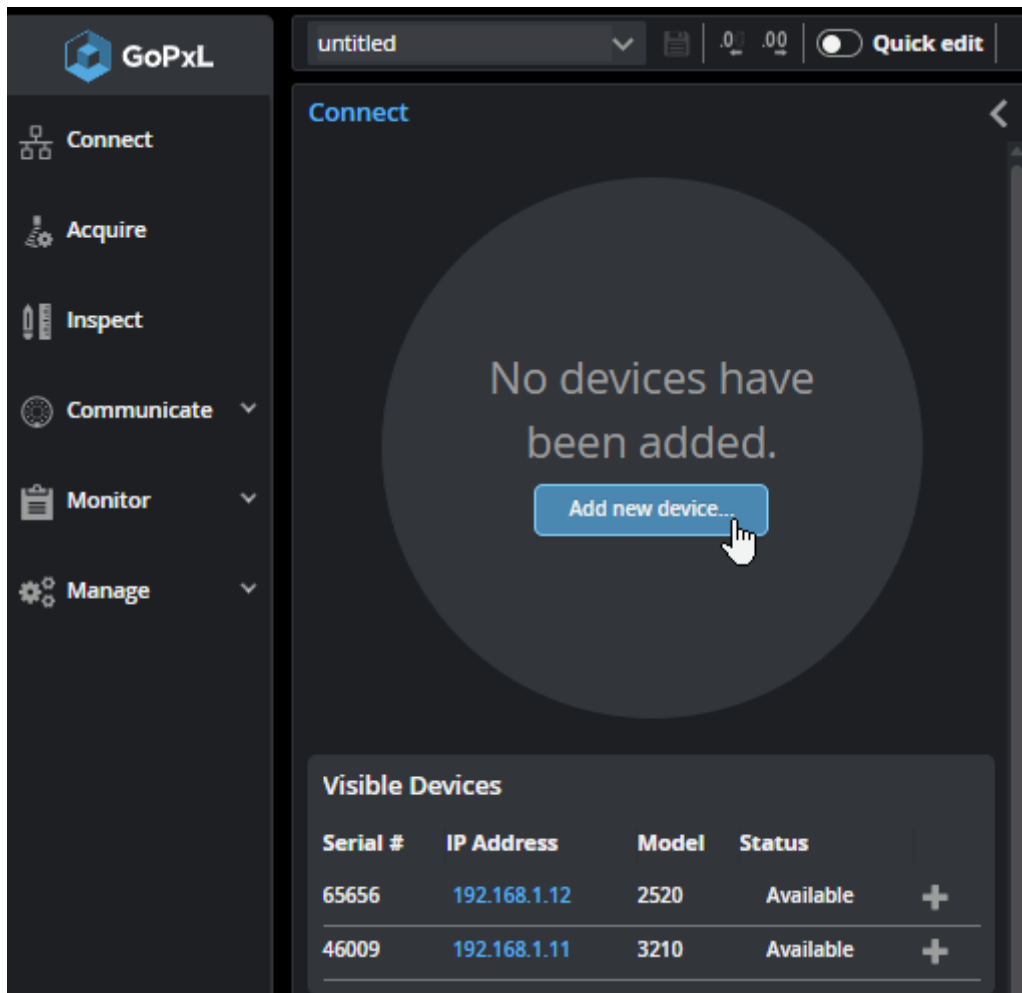
Starting and Stopping Acceleration

Accelerating a Sensor

You accelerate a sensor through the web interface of the GoMax unit, simply by adding the sensor to a "sensor group" on the **Connect** page. After you have connected the sensor, GoMax automatically accelerates it. To stop acceleration, you remove it from the unit in its user interface.

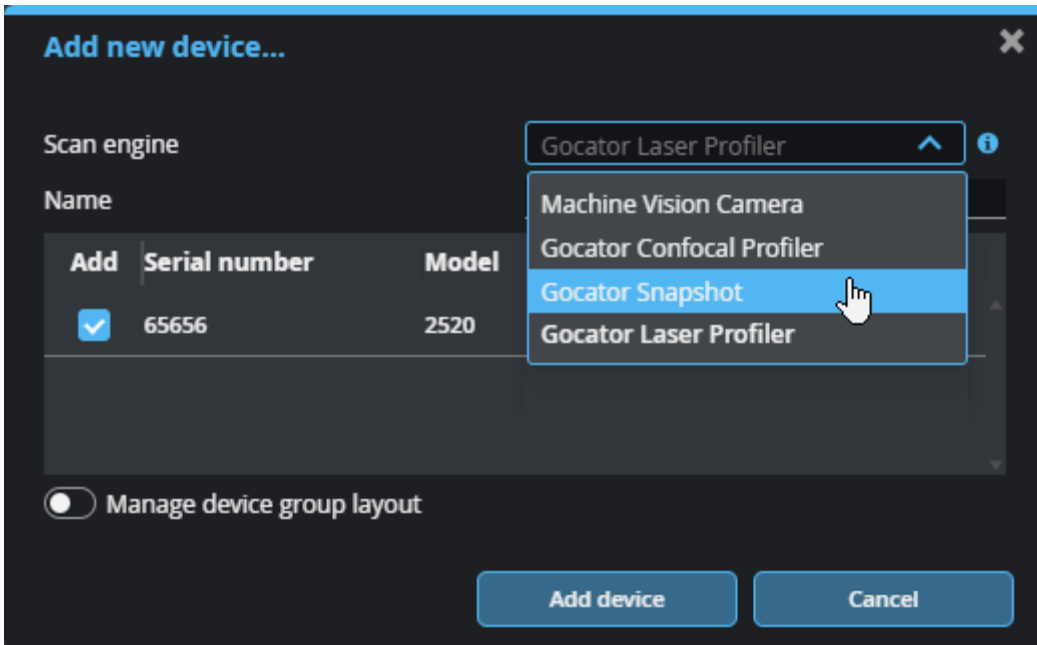
To accelerate a sensor

1. In your browser, connect to the GoMax unit.
By default, the unit's IP address is 192.168.1.6.
If you can't find the unit, see *Accessing the GoMax Unit* on page 26.
2. On the **Connect** page, click **Add new device...**

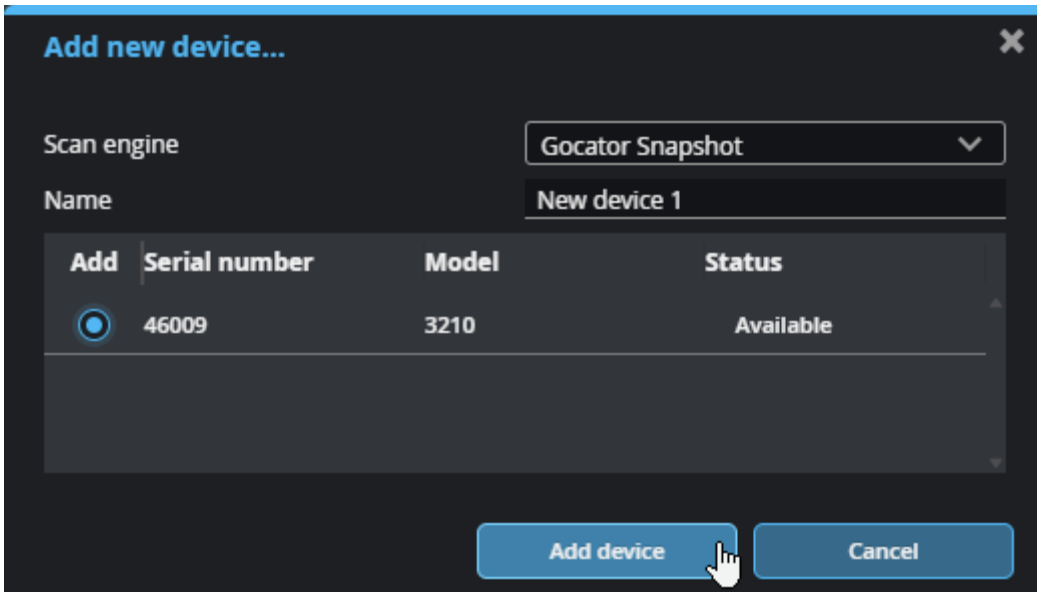


Optionally, you can instead click the plus icon next to the device you want to add in the **Visible Devices** table.

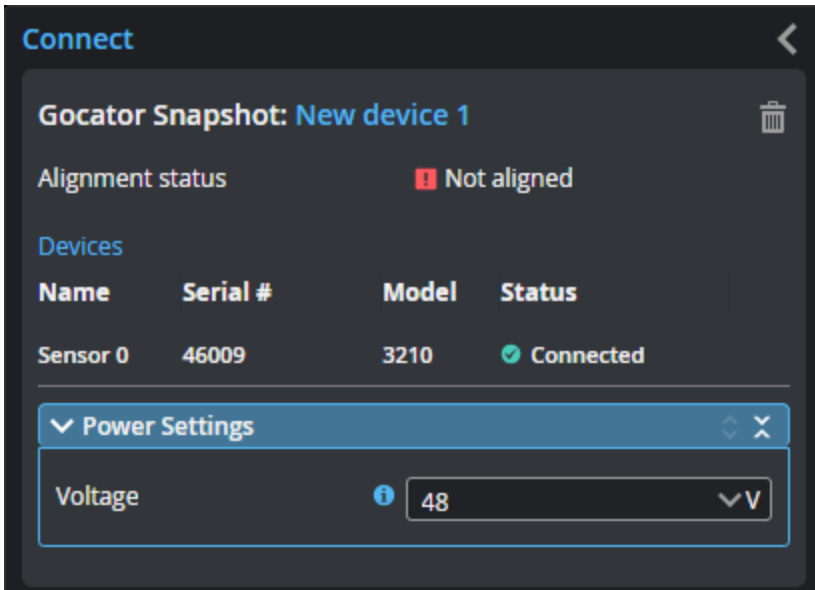
3. In **Add new device**, choose the scan engine appropriate for your sensor.



4. Choose the sensor you want to add in the Add column in the table, and click **Add Sensor**.



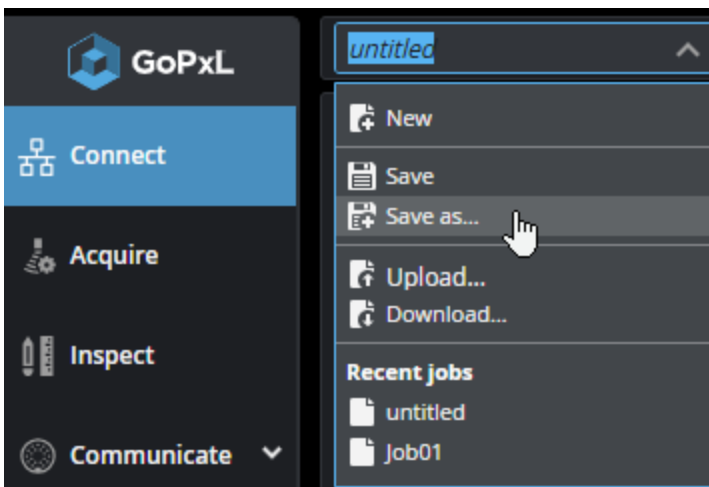
The sensor is now added to the GoMax unit. GoMax automatically accelerates the sensor.



You now control and configure the sensor through the GoMax interface, and not the sensor's interface.



5. Save the job.

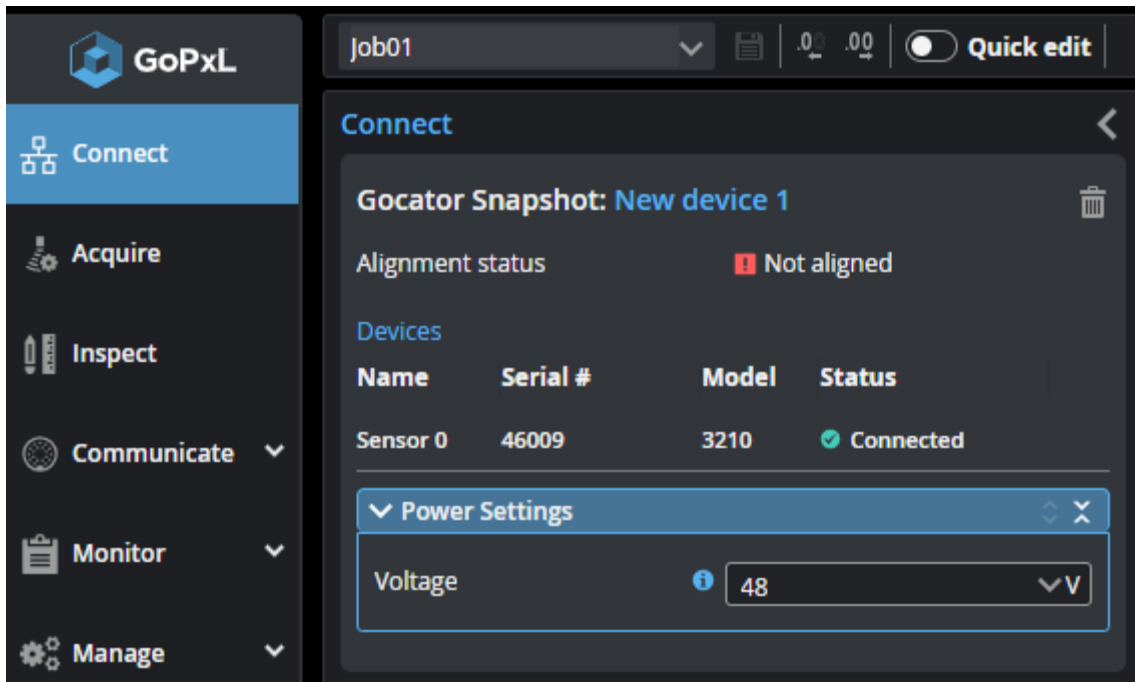


Stopping Acceleration

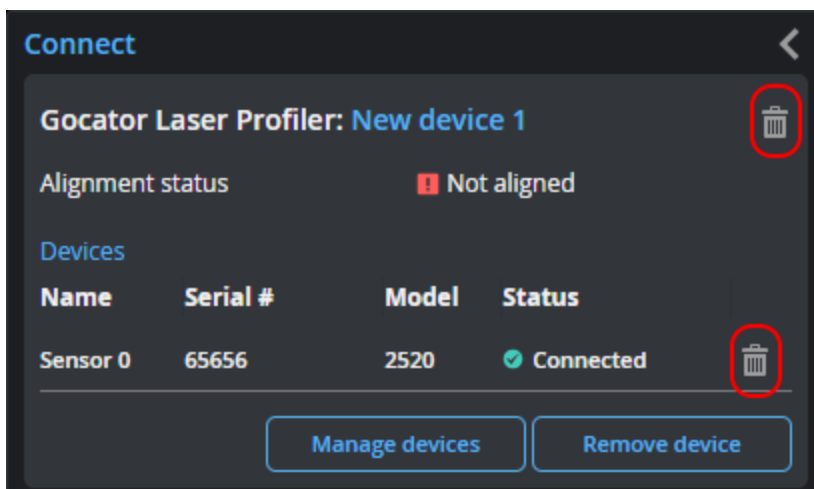
To stop accelerating a sensor, in the GoPXL interface, you remove it from the GoMax unit it's connected to.

To stop accelerating sensors

1. In the GoPXL interface of the GoMax, go to the **Connect** page.



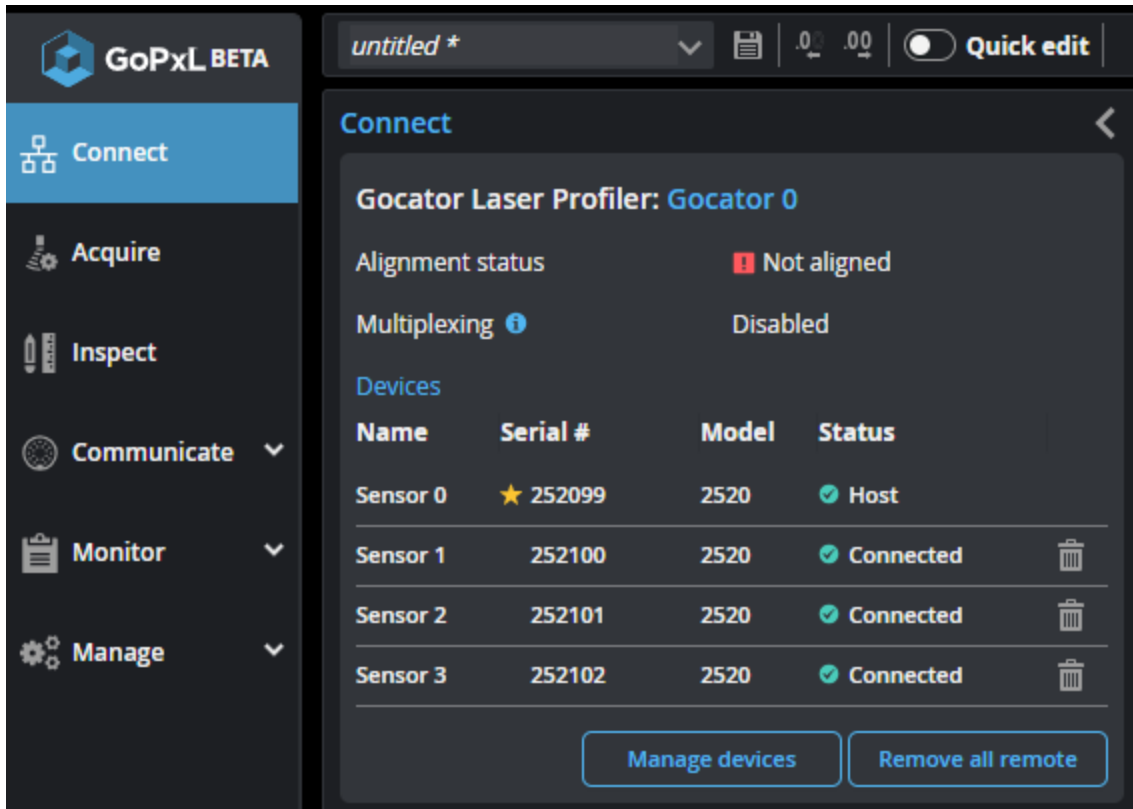
2. With single laser line profile sensors, click one of the garbage can icons.



Top garbage can icon: Choose this to remove the sensor and the sensor group containing it. If you have started configuring settings on the **Acquire** page, choose the next option instead.

Bottom garbage can icon: Choose this if you have started configuring settings on the **Acquire** page and just need to add a different sensor to the sensor group.

3. With multi-sensor laser line profile systems, click a garbage can icon to remove a specific sensor, or **Remove all remote** to remove all devices.



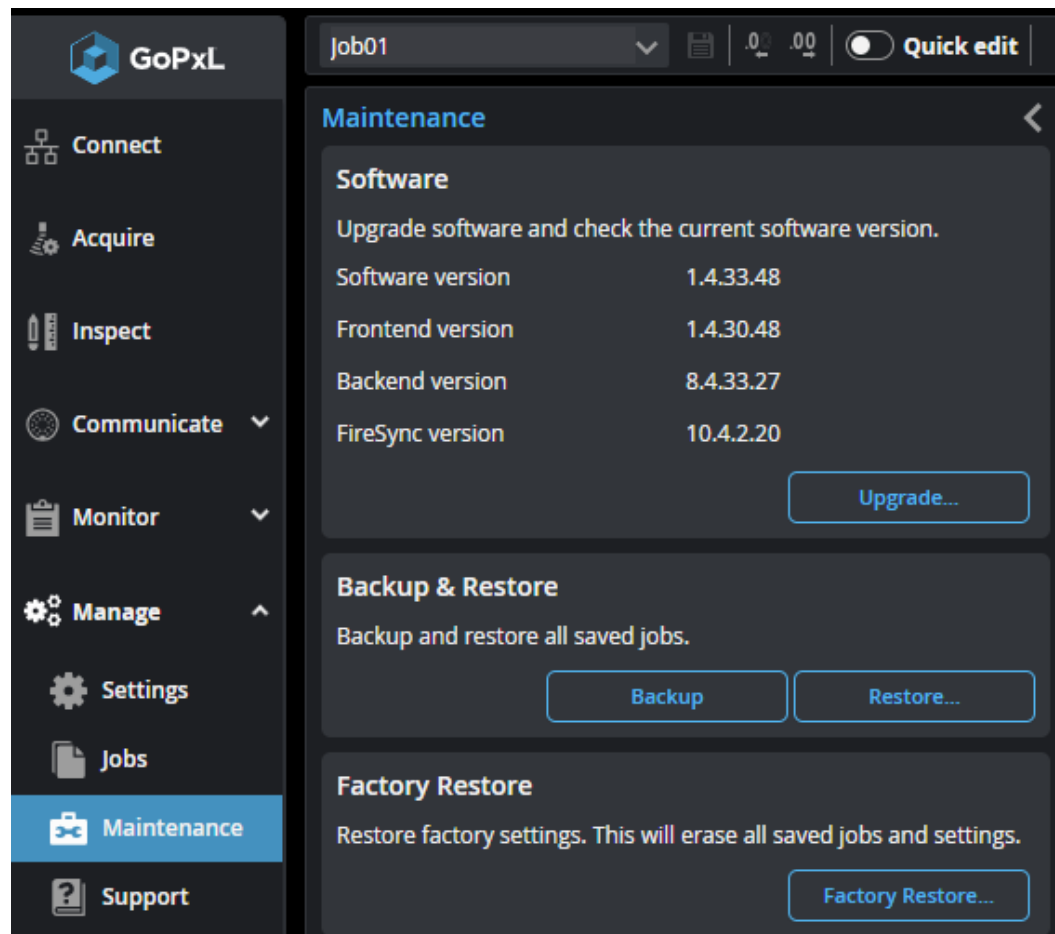
4. With G3 sensors, click the garbage can icon.
The sensor is removed from the PC instance.

Upgrading and Restoring GoMax



GoMax NX is *only* compatible with Gocator firmware 6.1 SR1 (firmware version 6.1.29.3) and later or GoPxL 1.0 and later. Loading an earlier firmware version will make the device unusable.

You upgrade the GoMax firmware on the **Manage > Maintenance** page.



GoMax firmware is available from the LMI Product Downloads page (<https://lmi3d.com/product-downloads/>).



The version of GoPxL running on the GoMax unit and the sensors must match in order for you to be able to accelerate a sensor.



Upgrading the GoMax unit or performing a factory restore stops acceleration.

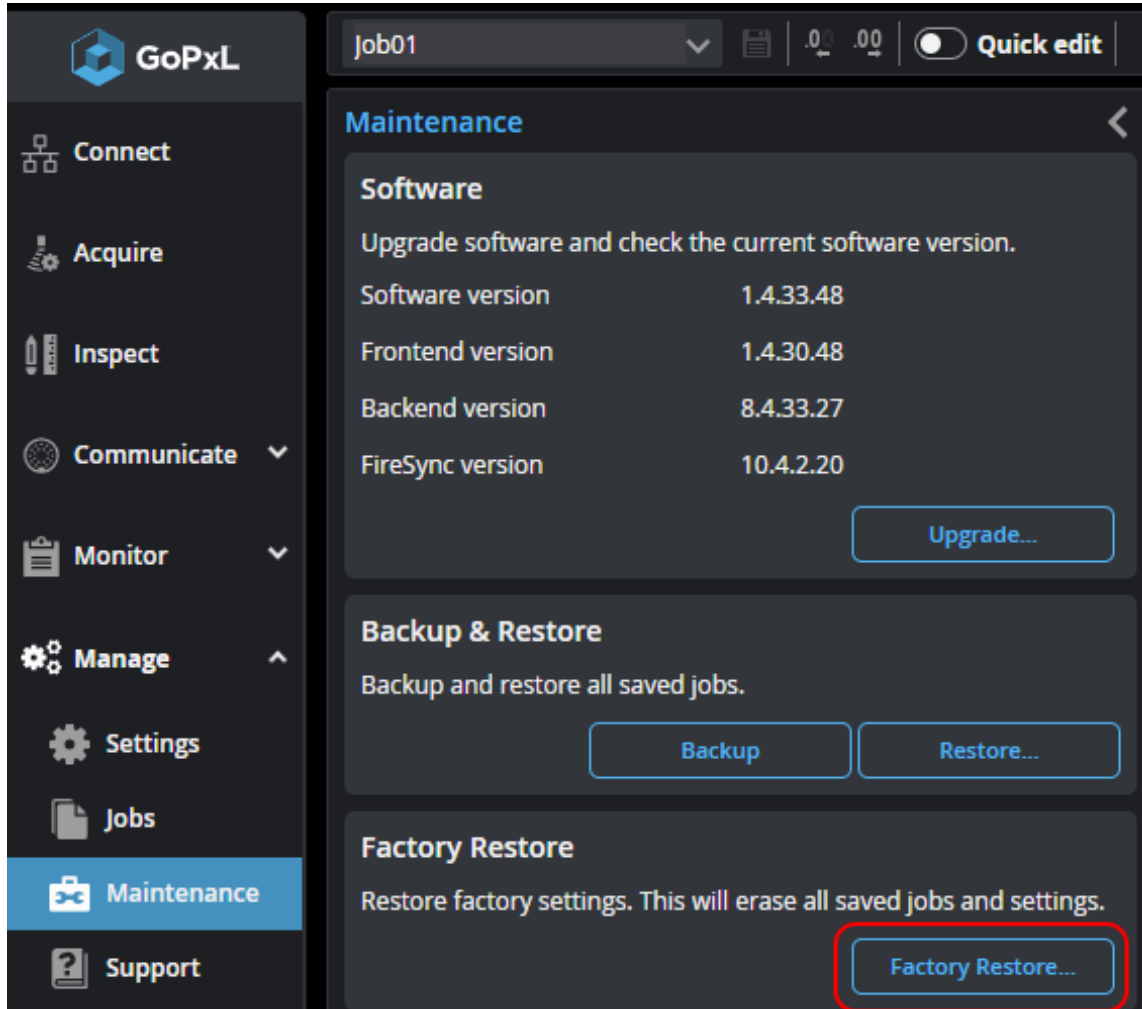


To upgrade a sensor's firmware, you must stop acceleration (remove it in the GoMax user interface), and then connect directly to the sensor's GoPxL interface to upgrade the sensor. For information on stopping acceleration, see *Stopping Acceleration* on page 31.



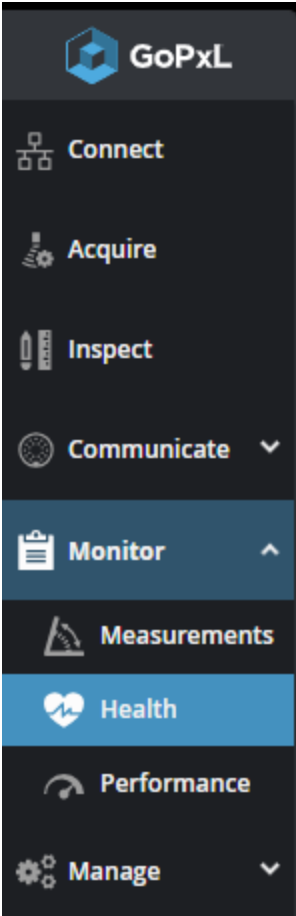
Do NOT disconnect power or the network connection from the GoMax unit while you are upgrading it.

To restore GoMax, go to **Manage > Maintenance**, and click **Factory Restore**.



Monitoring the GoMax Health Status

Use the pages under the **Monitor** category to monitor the health status and other statistics.



For more information, see the GoPxL user manual.

Specifications

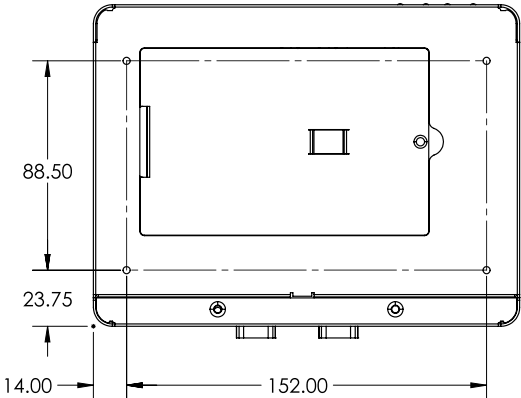
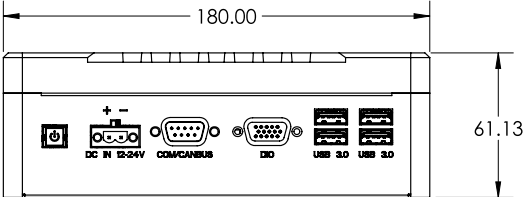
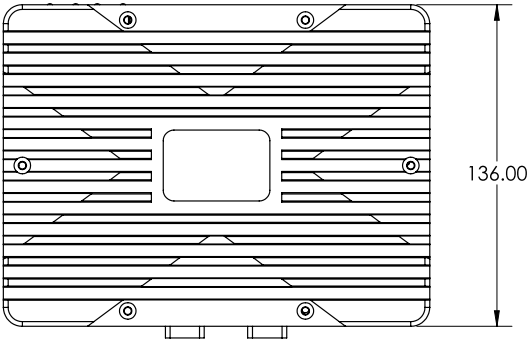
For dimensions and mounting hole specifications, see the following pages.

| Specifications | GoMax ORIN | GoMax ORIN+ |
|--|--|--|
| GPU Platform | NVIDIA Jetson Orin NX | NVIDIA Jetson AGX Orin |
| Dimensions (L x W x H) (mm) | 180 x 136 x 75 | 210 x 164 x 74 |
| Weight (kg) | 2.5 | 2.9 |
| Operating Temperature (°C) | -15 - 60 | -20 - 55 |
| Certifications | CE, FCC, UKCA, KCC, RoHS, Reach | CE, FCC, UKCA, KCC, RoHS, Reach |
| Mounting | DIN rail, wall mounting | DIN rail, wall mounting |
| CPU | 8-core NVIDIA Arm® Cortex A78AE v8.2 64-bit CPU 2MB L2 + 4MB L3 | 8-core NVIDIA Arm® Cortex A78AE v8.2 64-bit CPU 2MB L2 + 4MB L3 |
| Performance (tera-operations per second) | 157 | 200 |
| GPU | Ampere, 1024 CUDA cores, 32 Tensor cores | Ampere, 1792 CUDA cores, 56 Tensor cores |
| Memory | 16 GB LPDDR5 onboard | 32 GB LPDDR5 onboard |
| Storage (non-volatile) | 128 GB SSD (~90 GB available as user storage) | 512 GB SSD (~480 GB available as user storage) |
| Ethernet Ports | 5x GigE | 4x GigE |
| Power* (Max draw is without PoE) | +12 to +24 VDC, max 25W | +12 to +24 VDC, max 40W |
| Power Connector | Phoenix (2-pin terminal block) | Phoenix (2-pin terminal block) |

GoMax NX Specifications

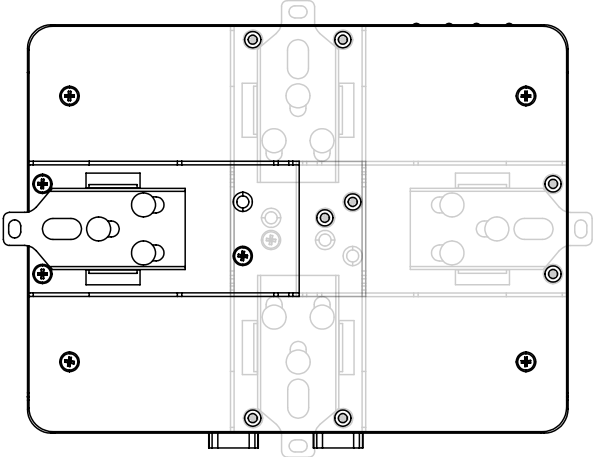
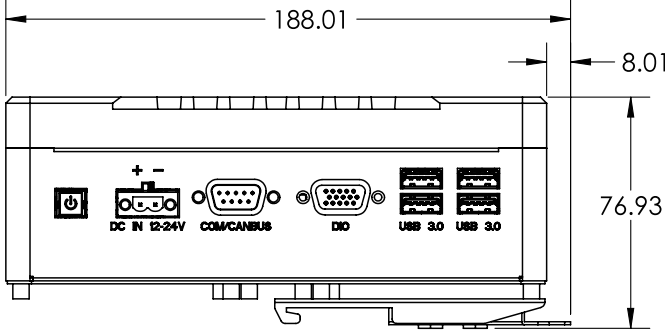
| | |
|-----------------------|--|
| NVidia Module | Jetson Xavier NX |
| CPU | 6-core NVidia Carmel ARM v8.2 |
| GPU | Volta GPU, 384 CUDA cores, 48 Tensor cores |
| Memory | 8 GB LPDDR4 onboard |
| Storage | 16 GB eMMC onboard |
| Supported IO | 2x Ethernet (ETH1 and ETH2) |
| Dimensions (mm) | 180 x 136 x 61.1 |
| Weight (kg) | 2.1 |
| Operating Temperature | -15 to 55 degrees Celsius |
| Input Voltage (Power) | +12 to +24 VDC (15 W) |
| Certifications | CE, FCC class A, RoHS, Reach |
| Mounting | DIN rail, wall mounting |

GoMax NX

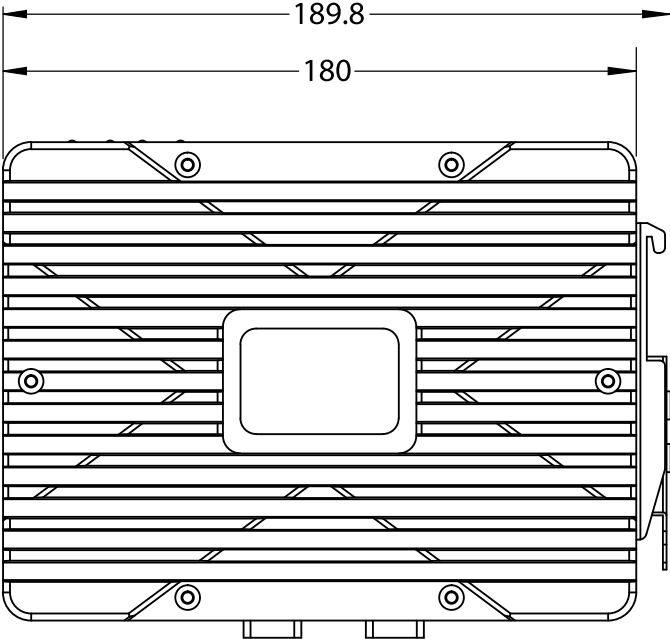


Rear DIN rail mount dimensions

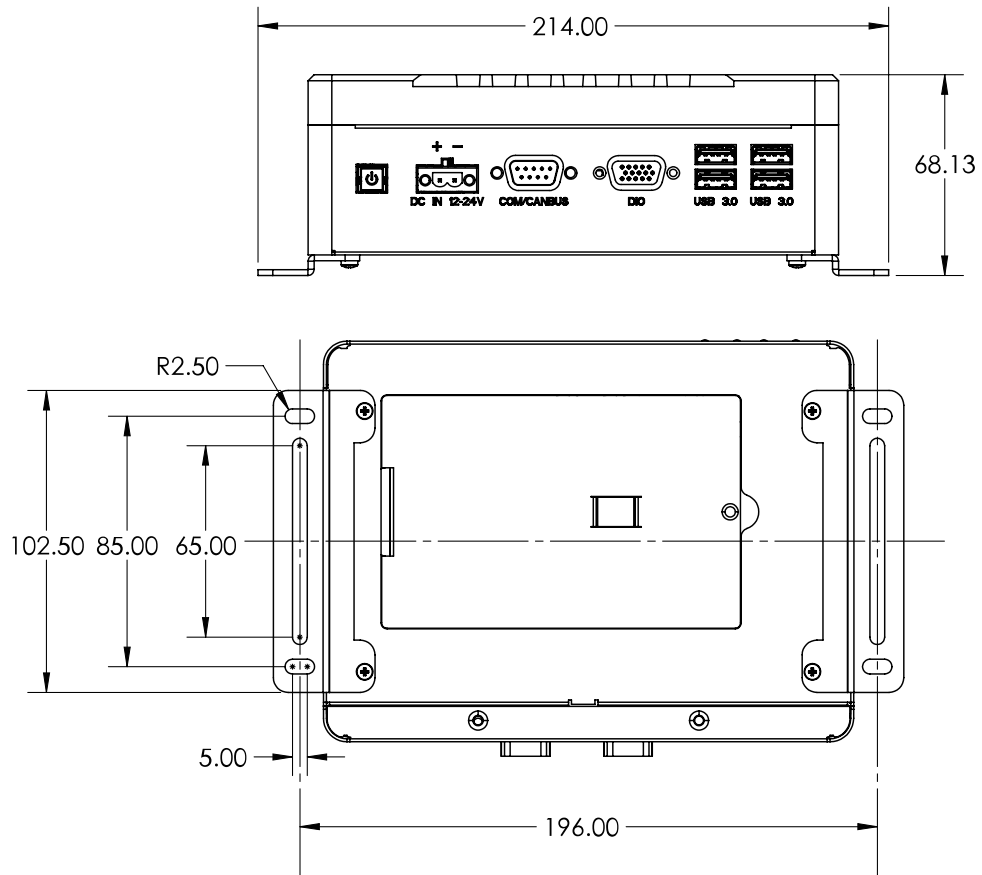
THERE ARE MULTIPLE MOUNTING POSITIONS FOR THE DIN MOUNT DEPENDING ON YOUR ANGLE REQUIREMENTS.



Side DIN rail mount dimensions

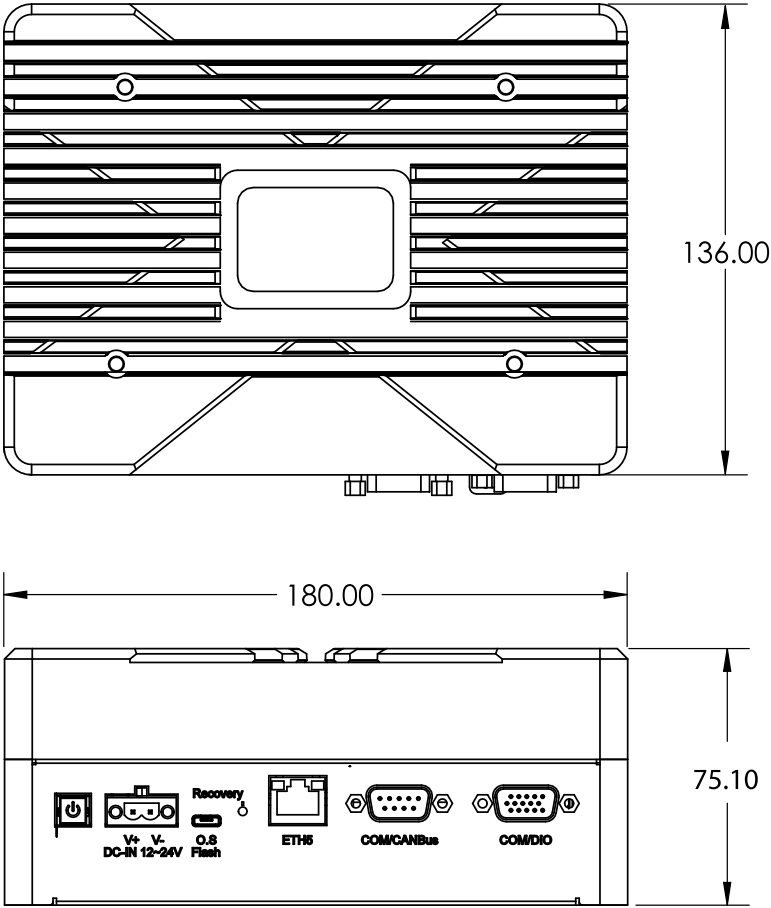


Wall mount dimensions

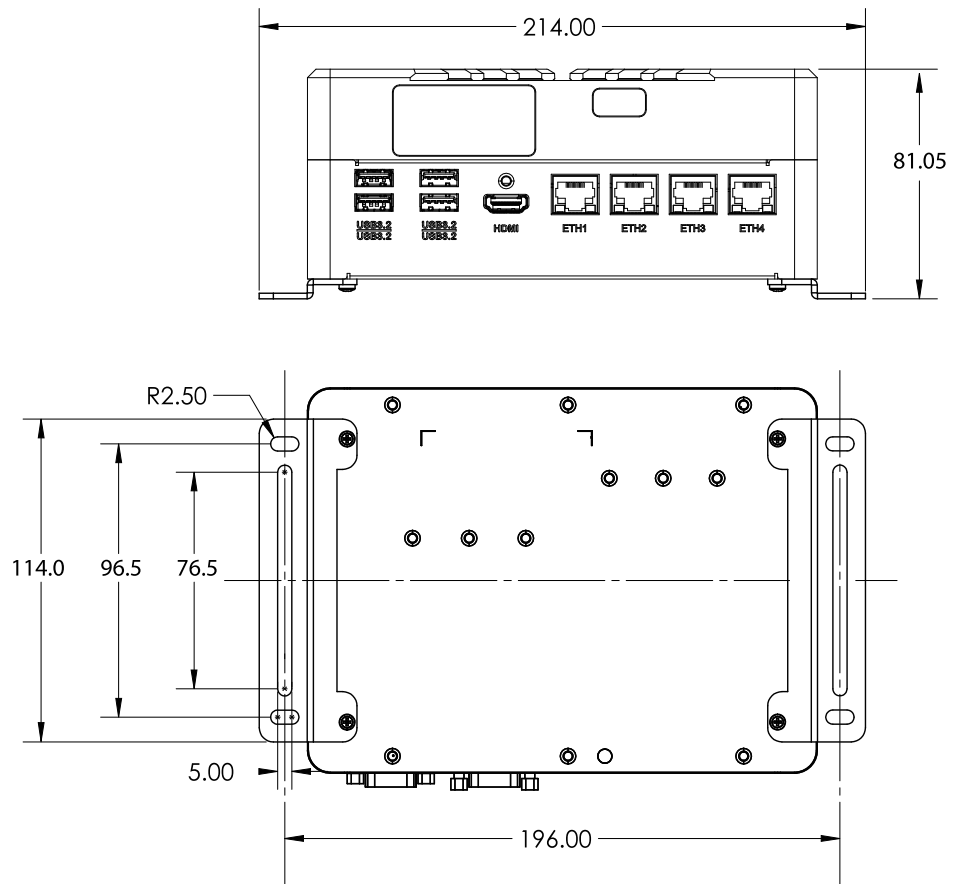


GoMax ORIN

For an overview of the ports, see *Hardware Overview* on page 10.

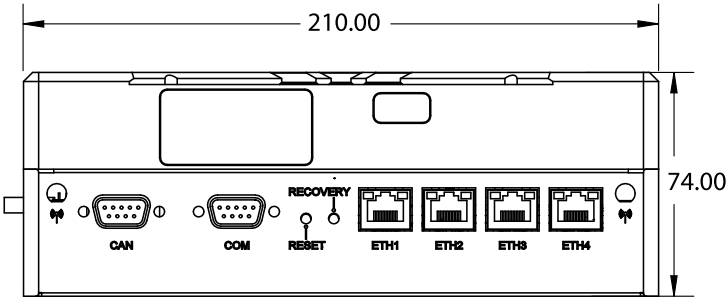
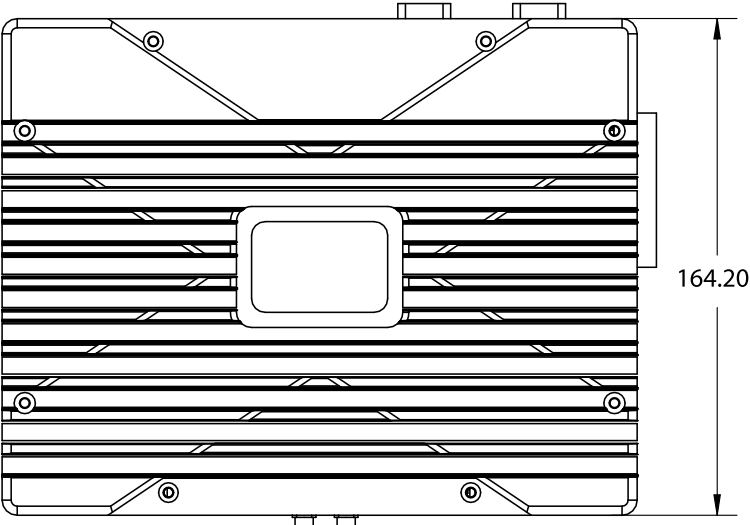


Wall mount dimensions

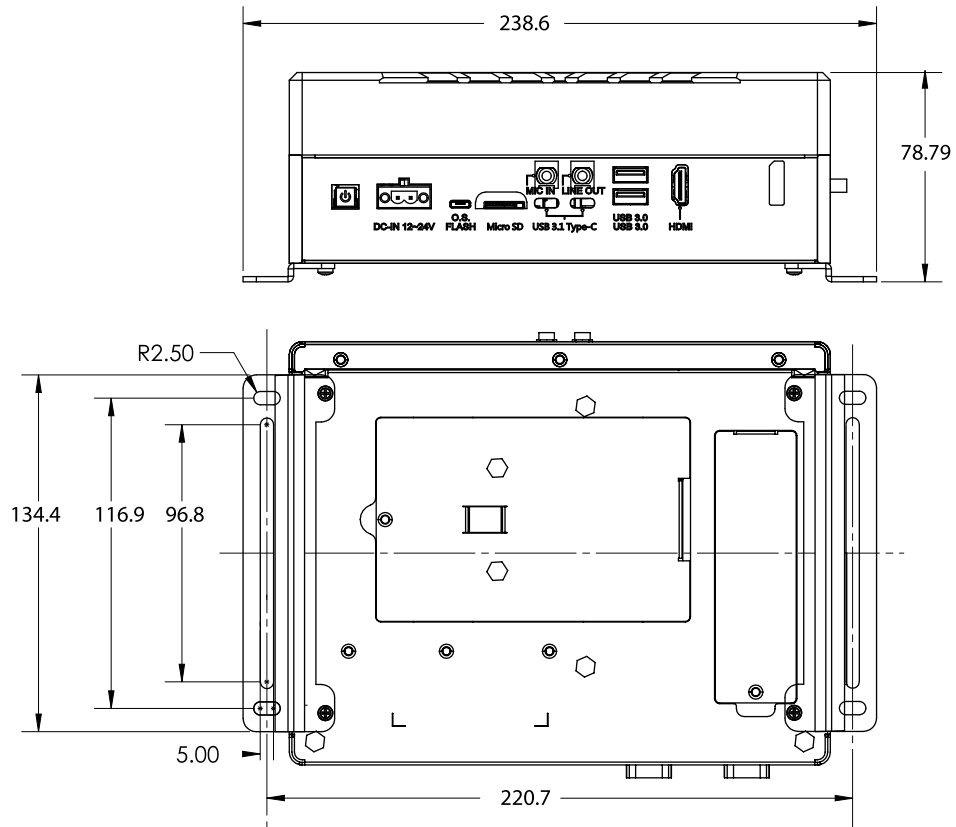


GoMax ORIN+

For an overview of the ports, see *Hardware Overview* on page 10.



Wall mount dimensions



Troubleshooting

Review the guidance in this chapter if you are experiencing difficulty with a GoMax unit.

Mechanical/Environmental

The unit is warm.

- It is normal for a GoMax unit to be warm when powered on.

Connection

When attempting to connect to the GoMax unit with a web browser, the unit is not found (page does not load).

- Verify that the GoMax unit is powered on and connected to the client computer network. The power indicator LED should illuminate when it is powered.
- Check that the client computer's network settings are properly configured.
- Use IP scanning software to verify the IP address of the GoMax unit. For more information, see *Discovering a GoMax IP Address* on page 18.

Performance

The CPU level is near 100%.

- Consider reducing the speed. If you are using a time or encoder trigger source, consider reducing the speed. If you are using an external input or software trigger, consider reducing the rate at which you apply triggers.
- Consider reducing the resolution of the sensors in the system.
- Review the measurements that you have programmed and eliminate any unnecessary measurements.

Return Policy

Return Policy

Before returning the product for repair (warranty or non-warranty) a Return Material Authorization (RMA) number must be obtained from LMI. Please call LMI to obtain this RMA number.

Carefully package the GoMax unit in its original shipping materials (or equivalent) and ship the unit prepaid to your designated LMI location. Please ensure that the RMA number is clearly written on the outside of the package. Inside the return shipment, include the address you wish the shipment returned to, the name, email and telephone number of a technical contact (should we need to discuss this repair), and details of the nature of the malfunction. For non-warranty repairs, a purchase order for the repair charges must accompany the returning unit.

LMI Technologies Inc. is not responsible for damages to a unit that are the result of improper packaging or damage during transit by the courier.

Software Licenses

jQuery

Website:

<http://jquery.com/>

License:

Copyright (c) 2011 John Resig, <http://jquery.com/>

Permission is hereby granted, free of charge, to any person obtaining a copy of this software and associated documentation files (the "Software"), to deal in the Software without restriction, including without limitation the rights to use, copy, modify, merge, publish, distribute, sublicense, and/or sell copies of the Software, and to permit persons to whom the Software is furnished to do so, subject to the following conditions:

The above copyright notice and this permission notice shall be included in all copies or substantial portions of the Software.

THE SOFTWARE IS PROVIDED "AS IS", WITHOUT WARRANTY OF ANY KIND, EXPRESS OR IMPLIED, INCLUDING BUT NOT LIMITED TO THE WARRANTIES OF MERCHANTABILITY, FITNESS FOR A PARTICULAR PURPOSE AND NONINFRINGEMENT. IN NO EVENT SHALL THE AUTHORS OR COPYRIGHT HOLDERS BE LIABLE FOR ANY CLAIM, DAMAGES OR OTHER LIABILITY, WHETHER IN AN ACTION OF CONTRACT, TORT OR OTHERWISE, ARISING FROM, OUT OF OR IN CONNECTION WITH THE SOFTWARE OR THE USE OR OTHER DEALINGS IN THE SOFTWARE.

jQuery.CopyEvents

Website:

<http://brandonaaron.net>

License:

Copyright (c) 2006 Brandon Aaron

Licensed under the MIT License (<http://www.opensource.org/licenses/mit-license.php>)

jQuery.history

License:

jQuery history plugin

Copyright (c) 2006 Taku Sano (Mikage Sawatari)

Licensed under the MIT License (<http://www.opensource.org/licenses/mit-license.php>)

Modified by Lincoln Cooper to add Safari support and only call the callback once during initialization for msie when no initial hash supplied. API rewrite by Lauris Bukis-Haberkorns

jQuery.mouseWheel

Website:

<http://brandonaron.net>

License:

Copyright (c) 2010 Brandon Aaron

Licensed under the MIT License (<http://www.opensource.org/licenses/mit-license.php>)

jQuery.scaling

Website:

<http://eric.garside.name>

License:

Scaling 1.0 - Scale any page element

Copyright (c) 2009 Eric Garside

Licensed under the MIT License (<http://www.opensource.org/licenses/mit-license.php>)

jQuery.scrollFollow

Website:

<http://kitchen.net-perspective.com/>

License:

Copyright (c) 2008 Net Perspective

Licensed under the MIT License (<http://www.opensource.org/licenses/mit-license.php>)

node

Website:

<https://github.com/nodejs/node>

License:

<https://github.com/nodejs/node/blob/master/LICENSE>

Support

For help with a component or product, please submit an online support ticket using LMI's [Help Desk](http://support.lmi3d.com/newticket.php) at <http://support.lmi3d.com/newticket.php>.

If you are unable to use the Help Desk or prefer to contact LMI by phone or email, use the contact information below.



Response times for phone or email support requests are longer than requests submitted through the Help Desk.

North America

| | |
|-------|-------------------|
| Phone | +1 604 636 1011 |
| Fax | +1 604 516 8368 |
| Email | support@lmi3d.com |

Europe

| | |
|-------|-------------------|
| Phone | +31 45 850 7000 |
| Fax | +31 45 574 2500 |
| Email | support@lmi3d.com |

For more information on safety and laser classifications, please contact:

*U.S. Food and Drug Administration
Center for Devices and Radiological Health
WO66-G609
10903 New Hampshire Avenue
Silver Spring MD 20993-0002
USA*

Contact

| Americas | EMEAR | ASIA PACIFIC |
|--|--|---|
| LMI Technologies (Head Office) Burnaby, Canada +1 604 636 1011 | LMI Technologies GmbH Berlin, Germany +49 (0)3328 9360 0 | LMI (Shanghai) Trading Co., Ltd. Shanghai, China +86 21 5441 0711 |

LMI Technologies has sales offices and distributors worldwide. All contact information is listed at lmi3d.com/contact/locations.