



USER MANUAL

## **GoMax ORIN, ORIN+, NX Smart Vision Accelerator**

Software version: GoPxL 1.1.50.x

Document revision: B

# Copyright

Copyright © 2024 by LMI Technologies, Inc. All rights reserved.

## **Proprietary**

This document, submitted in confidence, contains proprietary information which shall not be reproduced or transferred to other documents or disclosed to others or used for manufacturing or any other purpose without prior written permission of LMI Technologies Inc.

No part of this publication may be copied, photocopied, reproduced, transmitted, transcribed, or reduced to any electronic medium or machine readable form without prior written consent of LMI Technologies, Inc.

## **Trademarks and Restrictions**

GoMax™ and Gocator™ are registered trademarks of LMI Technologies, Inc. Any other company or product names mentioned herein may be trademarks of their respective owners.

Information contained within this manual is subject to change.

## **Contact Information**

LMI Technologies, Inc.  
9200 Glenlyon Parkway  
Burnaby BC V5J 5J8  
Canada

Telephone: +1 604-636-1011

Fax: +1 604-516-8368


[www.lmi3d.com](http://www.lmi3d.com)


# Table of Contents

---

<b>Copyright</b> .....	<b>2</b>
<b>Table of Contents</b> .....	<b>3</b>
<b>Introduction</b> .....	<b>4</b>
<b>Interface Overview</b> .....	<b>6</b>
<b>Safety and Maintenance</b> .....	<b>8</b>
Electrical Safety .....	8
Cleaning and Maintenance .....	8
Environment .....	9
<b>Hardware Overview</b> .....	<b>10</b>
<b>Protocol Support</b> .....	<b>12</b>
<b>Adding GoMax to a Sensor System</b> .....	<b>13</b>
Connecting Power .....	14
Setting the IP Address .....	15
Discovering a GoMax IP Address .....	18
Mounting .....	20
Using DIN Rail Clips .....	20
Mounting to a Wall or Frame .....	21
Connecting GoMax to a Sensor System .....	22
<b>Using GoMax</b> .....	<b>25</b>
Accessing the GoMax Unit .....	26
Starting and Stopping Acceleration .....	28
Accelerating a Sensor .....	28
Stopping Acceleration .....	30
Upgrading and Restoring GoMax .....	33
Monitoring the GoMax Health Status .....	35
<b>Specifications</b> .....	<b>36</b>
GoMax NX .....	38
GoMax ORIN .....	42
GoMax ORIN+ .....	44
<b>Troubleshooting</b> .....	<b>46</b>
<b>Return Policy</b> .....	<b>47</b>
<b>Software Licenses</b> .....	<b>48</b>
<b>Support</b> .....	<b>51</b>
<b>Contact</b> .....	<b>52</b>

# Introduction


 GoMax ORIN and ORIN+ are only compatible with Gocator firmware 6.4 and later, or GoPxL 1.1.51.x and later.


 GoMax NX is *only* compatible with Gocator firmware 6.1 SR1 (firmware version 6.1.29.3) and later or GoPxL 1.0 and later. Loading an earlier firmware version will make the device unusable.

In this document, we will use the term "GoMax" or "GoMax unit" to refer to GoMax ORIN, ORIN+, or NX.

### Notational Conventions

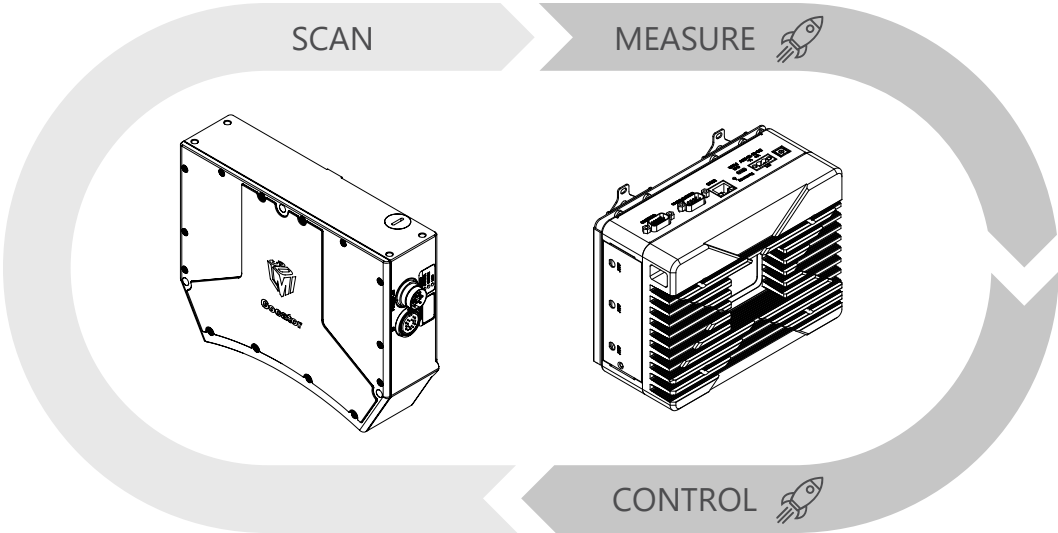
This documentation uses the following notational conventions:

 Follow these safety guidelines to avoid potential injury or property damage.

 Consider this information in order to make best use of the product.

The GoMax Smart Vision Accelerator is a hardware solution that accelerates any Gocator sensor to meet inline production speeds, without the need for a PC. The plug and play functionality of GoMax lets you quickly and easily add powerful data processing to a Gocator system, achieving faster cycle times and enhancing overall inspection performance.

To accelerate sensors, GoMax takes over a portion of the sensor's data processing (data generation, 3D measurement, and control).



*Relationship between GoMax (right) and a sensor (left)*

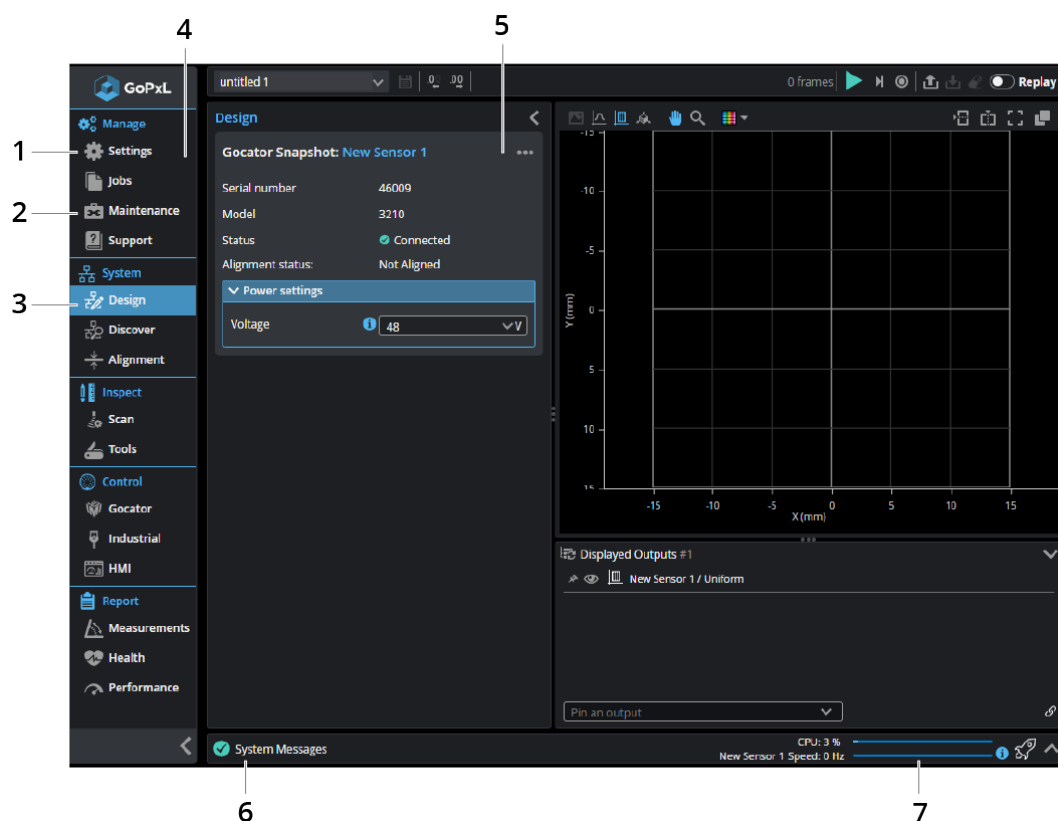
GoMax is ideal for accelerating a single Gocator snapshot sensors (such as Gocator 3506) or multi-sensor Gocator laser or confocal line profile sensor systems.

The Ethernet-based output protocols (Gocator, EtherNet/IP, ASCII, Modbus, and PROFINET) are also identical to those found on an unaccelerated sensor, and are fully supported.

The web interface on an accelerated sensor is identical to the interface on an unaccelerated sensor. For this reason, after you have configured GoMax, you should refer to the GoPXL user manuals, available on LMI's website.

# Interface Overview

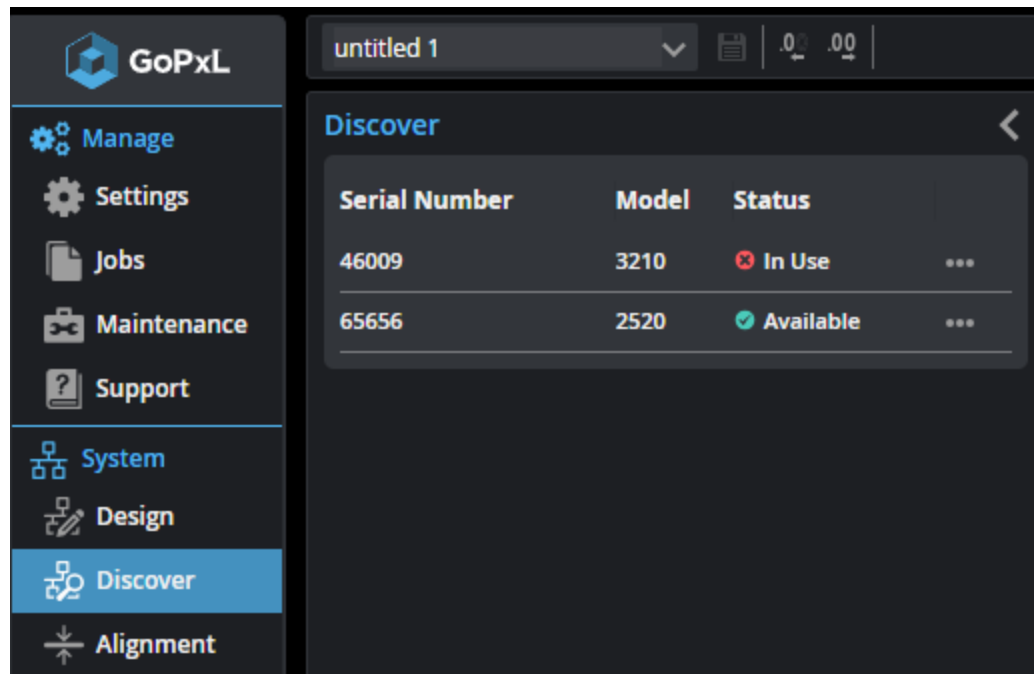
As with Gocator sensors, you configure GoMax using a web interface.



Click the icons along the left of the web interface (in the nav bar) to switch between pages that contain a high-level grouping of settings and functionality.

Element	Description
1 Settings page	Contains settings for configuring the network address of the GoMax unit. For more information, see <i>Setting the IP Address</i> on page 15.
2 Maintenance page	Lets you upgrade firmware and perform a factory reset of the GoMax unit. For more information, see <i>Upgrading and Restoring GoMax</i> on page 33.
3 Design page	Lets you connect sensors to GoMax, which starts accelerating the sensors. For more information, see <i>Starting and Stopping Acceleration</i> on page 28. For information on configuring multi-sensor layouts, see the GoPxL user manuals.
4 Nav bar	An expandable area that gives you access to different pages you use to configure sensors.

Element	Description
5	<p>Connected sensor or sensors</p> <p>Sensors connected to the GoMax unit are listed here. The status of connected sensors is listed as "Connected."</p> <p>Connected sensors are also listed on the Discover page with an "In Use" status.</p>



6	<p>CPU Load and Speed</p> <p>Provides important GoMax metrics. The "rocket" icon indicates that the GoMax is an accelerating device.</p>
7	<p>System messages</p> <p>Displays log messages from the GoMax unit.</p>

The web interface on an accelerated sensor is identical to the interface on an unaccelerated sensor. The Ethernet-based output protocols (Gocator, EtherNet/IP, ASCII, Modbus, PROFINET) are also identical to those found on an unaccelerated sensor, and are fully supported.

# Safety and Maintenance

The following sections describe the safe use and maintenance of GoMax vision accelerators.



GoMax ORIN and ORIN+ are only compatible with Gocator firmware 6.4 and later, or GoPxL 1.1.51.x and later.



GoMax NX is *only* compatible with Gocator firmware 6.1 SR1 (firmware version 6.1.29.3) and later or GoPxL 1.0 and later. Loading an earlier firmware version will make the device unusable.

## Electrical Safety



Failure to follow the guidelines described in this section may result in electrical shock or equipment damage.

### **Sensor systems that GoMax is connected to should be connected to earth ground**

All sensors in the system should be connected to earth ground through their housing. All sensors should be mounted on an earth grounded frame using electrically conductive hardware to ensure the housing of the sensor is connected to earth ground. Use a multi-meter to check the continuity between the sensor connector and earth ground to ensure a proper connection.

### **Minimize voltage potential between system ground and sensor ground**

Care should be taken to minimize the voltage potential between system ground (ground reference for I/O signals) and sensor ground. This voltage potential can be determined by measuring the voltage between Analog\_out- and system ground. The maximum permissible voltage potential is 12 V but should be kept below 10 V to avoid damage to the serial and encoder connections.

### **Use the power supply provided with the unit**

If the power supply or cords get damaged, contact LMI Technologies for a replacement.

### **Use care when handling powered devices**

Wires connecting to the GoMax unit should not be handled while the unit is powered. Doing so may cause electrical shock to the user or damage to the equipment.

## Cleaning and Maintenance

### **Keep heatsink fins clear and clean**

To avoid overheating of the GoMax unit, make sure the unit's heatsink fins are clean and clear.

# Environment

## **Avoid installing the GoMax unit in hazardous environments**

To ensure reliable operation and to prevent damage to the GoMax unit, avoid installing the unit in locations

- that are humid, dusty, or poorly ventilated;
- with a high temperature, such as places exposed to direct sunlight;
- where there are flammable or corrosive gases;
- where the unit may be directly subjected to harsh vibration or impact;
- where water, oil, or chemicals may splash onto the unit;
- where static electricity is easily generated.

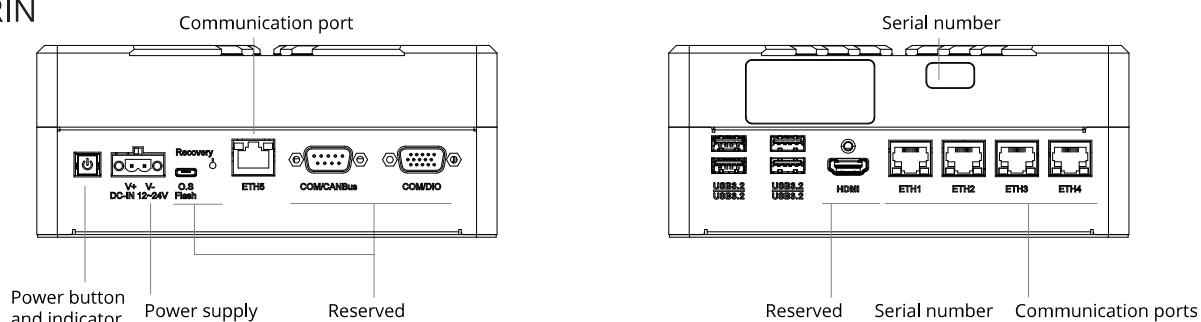
## **Ensure that ambient conditions are within specifications**

GoMax units are suitable for operation between -15 and 55 degrees Celcius.

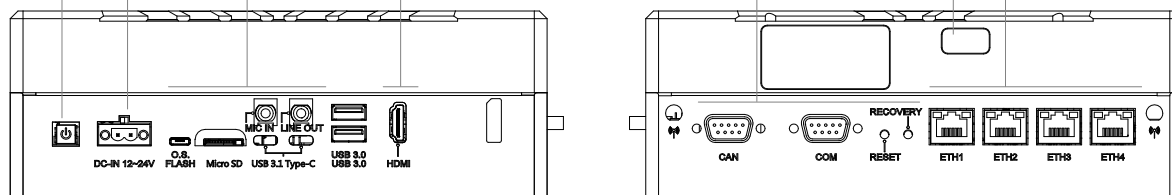
# Hardware Overview

The following illustrates the physical features of GoMax ORIN and ORIN+ units.

## ORIN



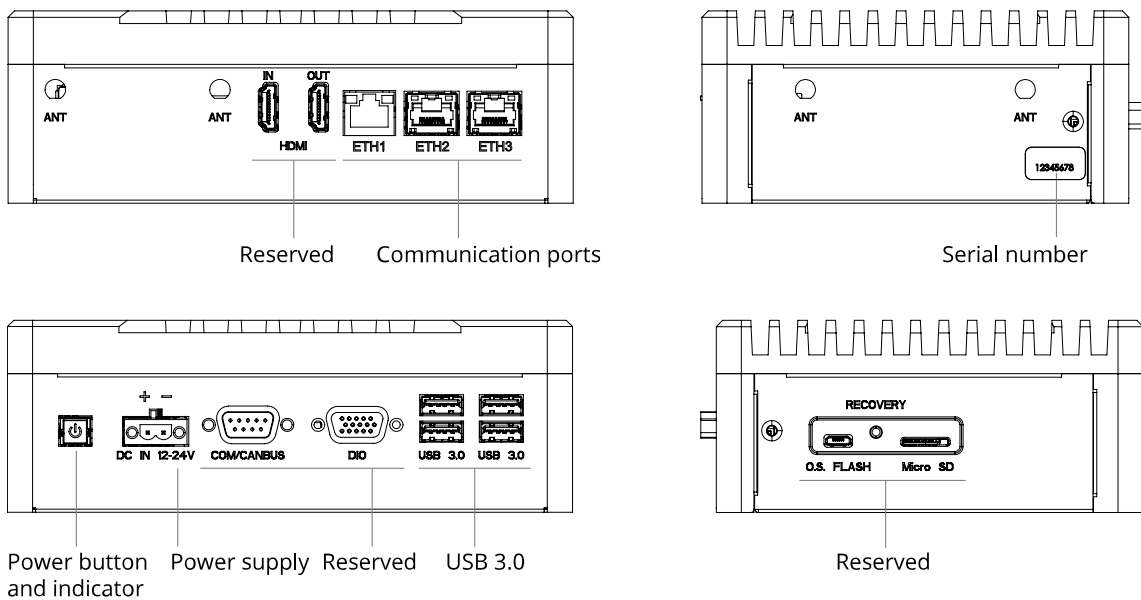
## ORIN+



Item	Description
HDMI	Reserved for future use.
ETH1	Ethernet port for PCs and PLCs <i>only</i> . You can directly connect a PC for the initial configuration or connect the GoMax unit to the sensor system via a switch. By default, this port's IP address is 192.168.1.6.
ETH2	Ethernet ports. You can connect sensors to these ports. The following are their default IP addresses.
ETH3	
ETH4	ETH2: 192.168.2.6
ETH5 (ORIN only)	ETH3: 192.168.3.6
	ETH4: 192.168.4.6
	ETH5 (ORIN only): 192.168.5.6
Power Button and Indicator	Powers the device on and off. Illuminated when power is applied (green).
DC IN 12-24V	Accepts a Phoenix connector for the provided power supply.
OS Flash	USB C port. Reserved for future use.
Micro SD (ORIN + only)	Reserved for future use.
COM / CANBus	Reserved for future use.

Item	Description
COM / DIO	Reserved for future use.
MIC IN	Reserved for future use.
LINE OUT (ORIN+ only)	
USB ports	Used for a GoPxL Pro Tools dongle.
Ant	Reserved for future use.
Serial Number	Unique sensor serial number.
Recovery button	Reserved.

The following illustrates the physical features of a GoMax NX unit.



Item	Description
HDMI IN / OUT	Reserved for future use.
ETH1	Ethernet port. For direct connection to a PC for the initial configuration and to connect the GoMax unit to the sensor system via a switch. PCs and PLCs can only be connected to the ETH1 port.
ETH2	Ethernet port. Sensors can be connected to this port.
ETH3	Reserved for future use.
Power Button and Indicator	Powers the device on and off. Illuminated when power is applied (green).
DC IN 12-24V	Accepts a Phoenix connector for the provided power supply.
COM / CANBus	Reserved for future use.
DIO	Reserved for future use.
USB 3.0	Used for a GoPxL Pro Tools dongle.

<b>Item</b>	<b>Description</b>
Ant	Reserved for future use.
Serial Number	Unique sensor serial number.
OS Flash	USB C port. Reserved for future use.
Recovery button	Reserved.
Micro SD	Reserved for future use.

# Protocol Support

GoMax supports protocols for communicating with sensors over Ethernet (TCP/IP) and serial output.

## Protocols available over Ethernet

- Gocator
- Modbus
- EtherNet/IP
- ASCII
- PROFINET

For an overview of the Ethernet ports used by sensors, see *Required Ports* in the user manual of your sensor.

# Adding GoMax to a Sensor System

LMI recommends adding GoMax to a sensor system that is already fully set up and configured. For information on setting up a sensor system, see the user manual of the sensors used in the system.

Follow the instructions in the following sections to install and perform the initial configuration of a GoMax unit.



Sensors you intend to accelerate using GoMax NX must be running GoPxL 1.0 or higher. For GoMax ORIN or ORIN+, sensors must be running firmware 1.1.50.x or later.

# Connecting Power

Power is provided by the included power supply. The plug type depends on the region in which you are using the unit.

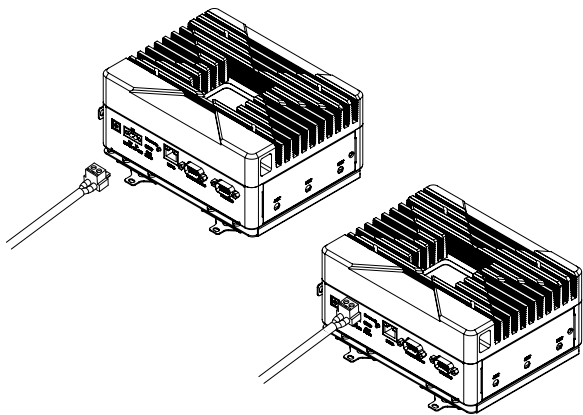


Use *only* the provided power supply with the GoMax unit. Using a higher voltage power supply will damage the unit.

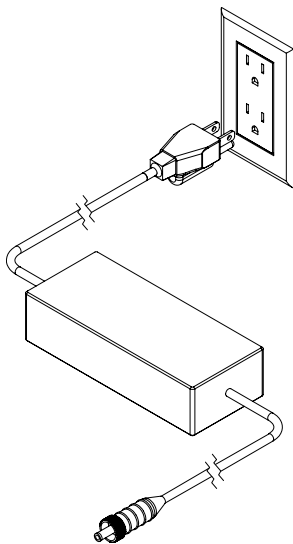
LMI recommends powering up the GoMax unit and performing the initial configuration of the unit before physically connecting it to the sensor system.

*To connect power:*

1. Connect the power supply connector to the unit.



2. Plug the power adapter into an available electrical outlet.



An LED indicator on the unit lights when power is applied.

The unit is ready for initial configuration (setting an IP address).

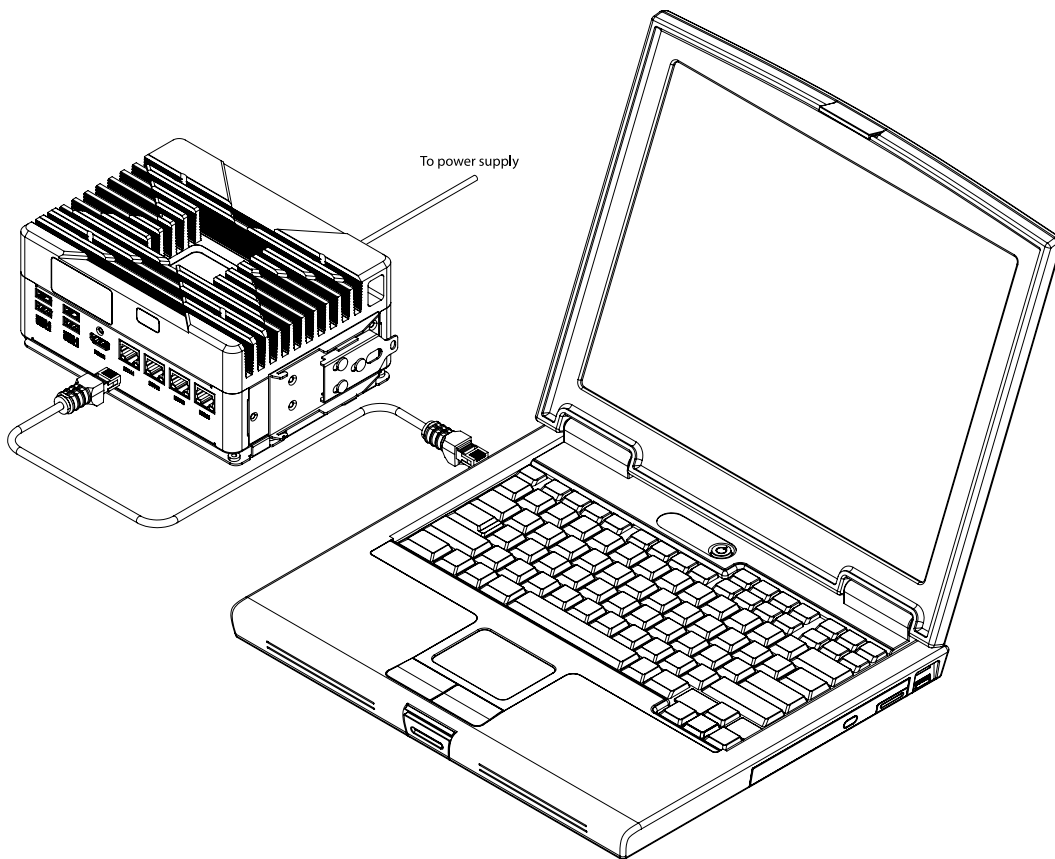
# Setting the IP Address

Each GoMax unit and Gocator sensor on the sensor system network must have a unique IP address. By default, the IP addresses of the GoMax unit's ETH1 Ethernet port is set to 192.168.1.6. By default, the ETH2 port is set to 192.168.2.6.

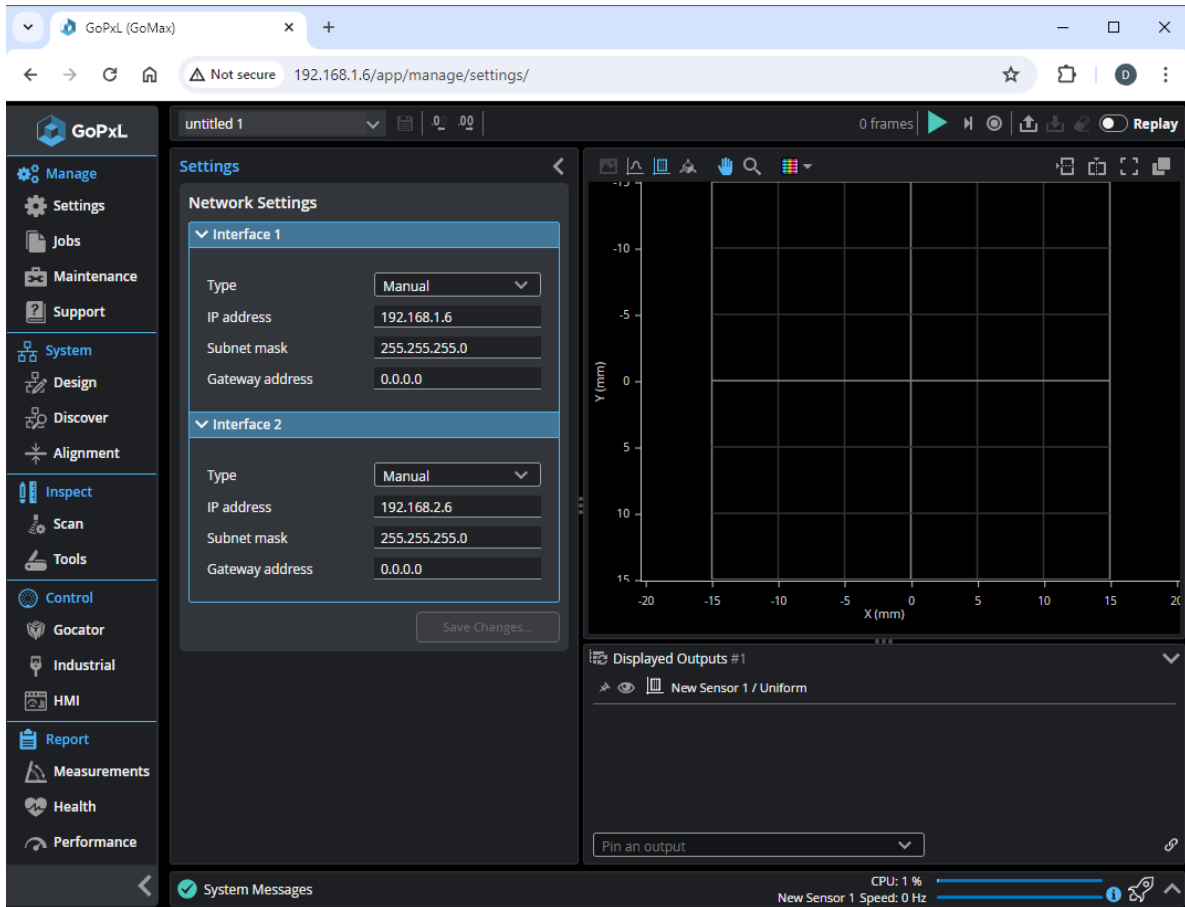
If these addresses conflict with sensors in your sensor system, or if your system will contain multiple GoMax units, you will have to set the IP addresses of each GoMax unit to avoid conflicts.

*To set the IP address of a GoMax unit:*

1. Using an Ethernet cable, first connect a computer directly to the ETH1 port on the GoMax unit.

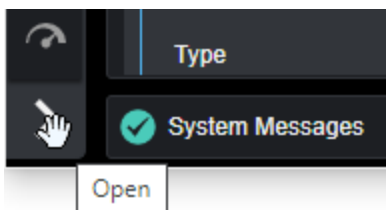


2. On the computer, launch an Internet browser and navigate to 192.168.1.6. The GoMax web interface is displayed.



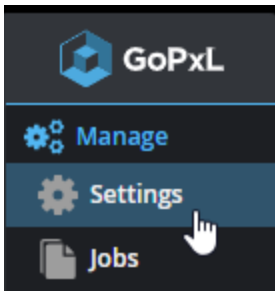
If you can't connect to the GoMax unit, or if you don't know what the unit's IP address is, follow the instructions in *Discovering a GoMax IP Address* on page 18.

3. If you haven't already done so, in the lower left of the interface, click the open icon to pin the navigation bar on the left.



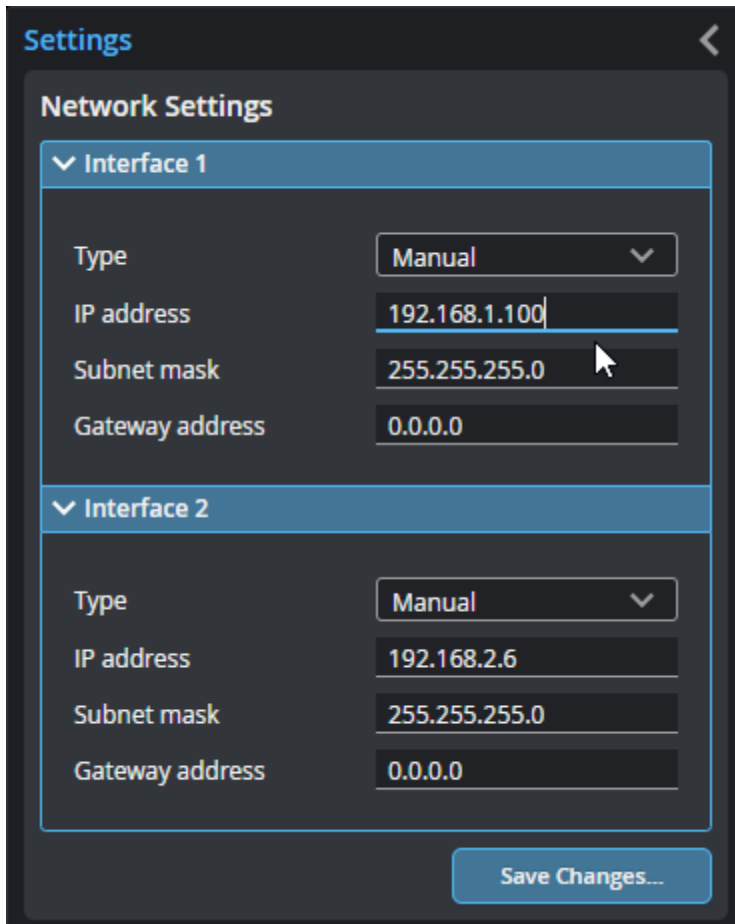
It's not necessary to do this, but for first-time users, it can help understand the user interface more quickly.

4. If the **Settings** page isn't already displayed, click **Settings** in the navigation bar.



The **Settings** page is displayed (see above).

5. Under **Network Settings**, under **Interface 1** or **Interface 2**, set the IP address and click **Save Changes**.



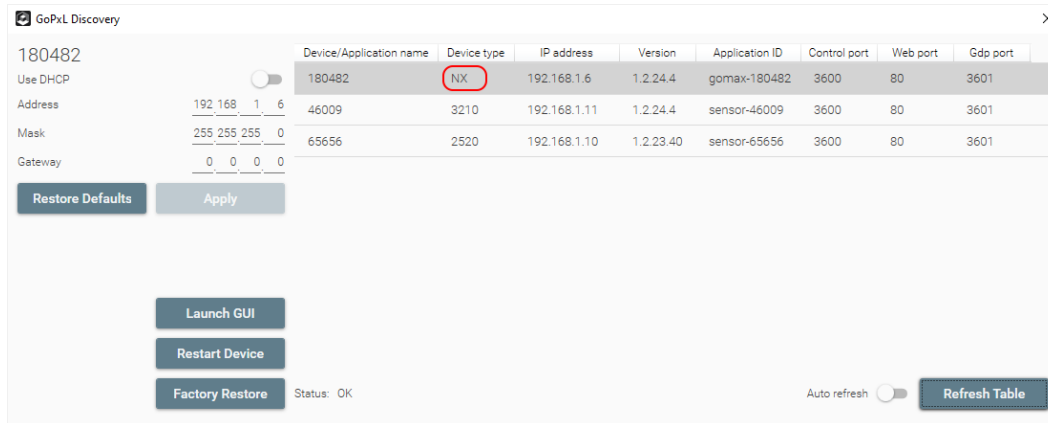
The GoMax unit restarts after you confirm you want to continue with the changes. Changing network settings stops the acceleration of any accelerated sensors.

After the GoMax unit restarts, its IP address is changed.

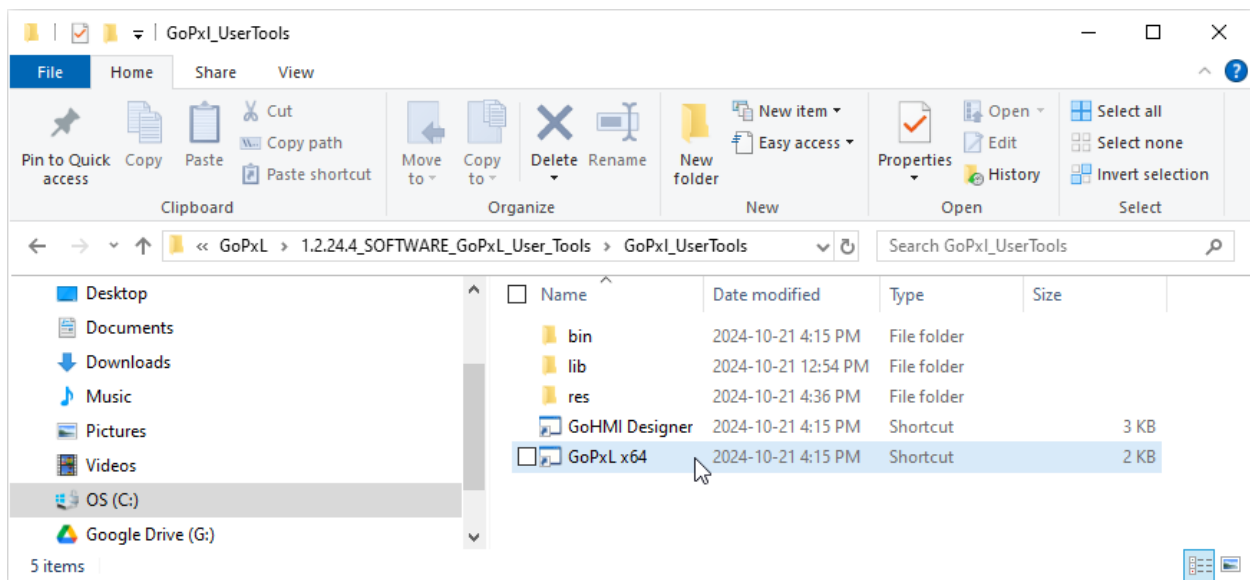
6. Disconnect the laptop from the GoMax unit.

# Discovering a GoMax IP Address

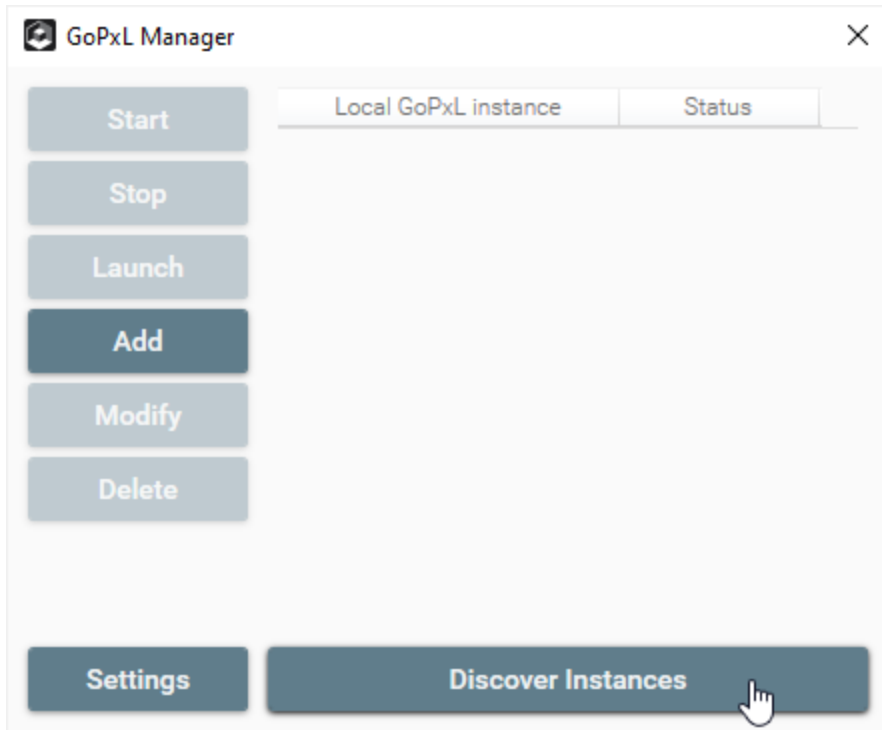
If you can't find or connect to a GoMax unit, use the GoPxL Discovery tool (available in the GoPxL utilities package 14631-x.x.x.x\_SOFTWARE\_GoPxL\_Utilities.zip, from LMI's website) to find it on your network. You identify a GoMax unit by looking in the **Device type** column, for example, for "NX".



To launch the Discovery tool, first launch the PC version of GoPxL:



Then, in GoPxL Manager, click **Discover Instances** (see above for an example image from the Discovery tool).



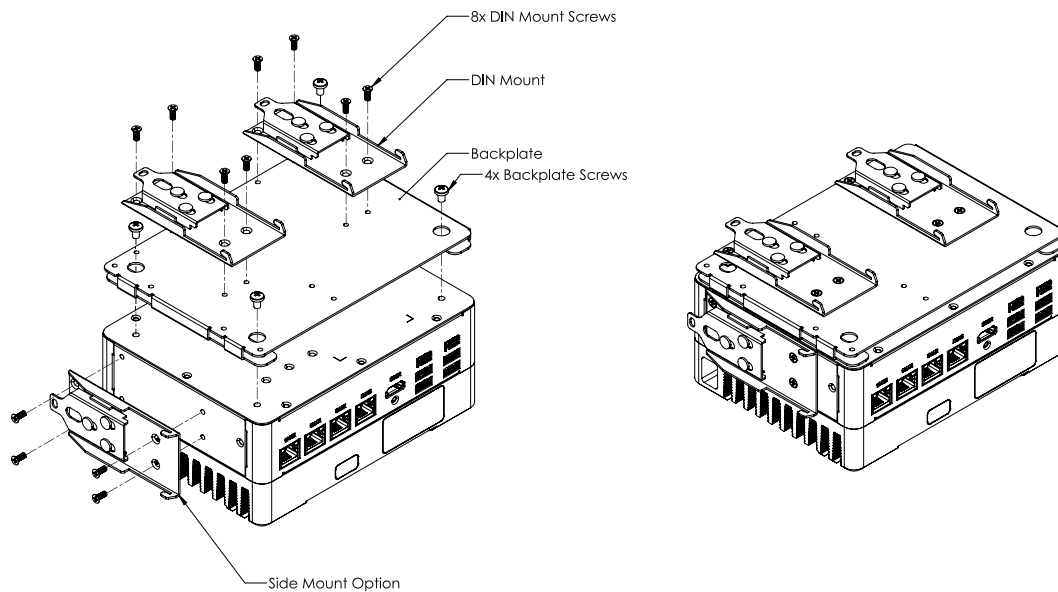
# Mounting

You can mount GoMax units to a DIN rail or directly to a wall or frame using the provided mounting hardware.

## Using DIN Rail Clips

LMI provides a DIN rail clip plate, a DIN rail clips, and screws to mount the GoMax unit on a DIN rail.

The plate lets you mount the unit in different orientations, using different sets of standoffs. Attach the DIN rail clip plate to the back of the GoMax unit, and attach the DIN rail clip to the plate in the required orientation. You can also mount the DIN rail clip on the side of the unit.



For dimensions of the unit with the DIN rail clip attached, see *Rear DIN rail mount dimensions* on page 39.

## Mounting to a Wall or Frame

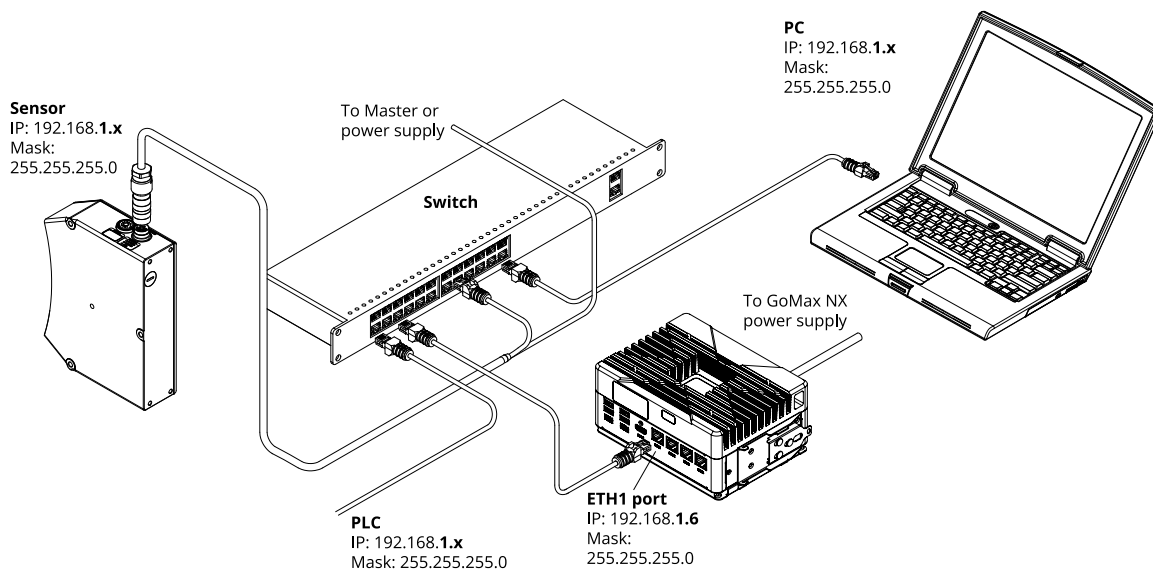
LMI also provides wall mount brackets to mount the GoMax unit directly on a wall or to a frame. To use the wall mount brackets, remove the DIN rail clip plate from the back of the unit, and attach the wall mount brackets to the back of the unit using the provided screws. Make sure that the unit is securely fastened to the wall.

# Connecting GoMax to a Sensor System

GoMax provides a model-dependent number of Ethernet ports. (The third port on GoMax NX is not used.) You use one or more to connect the parts of your system (PCs, sensors, and PLCs) to the GoMax device. Depending on your application, you may need one or more switches.

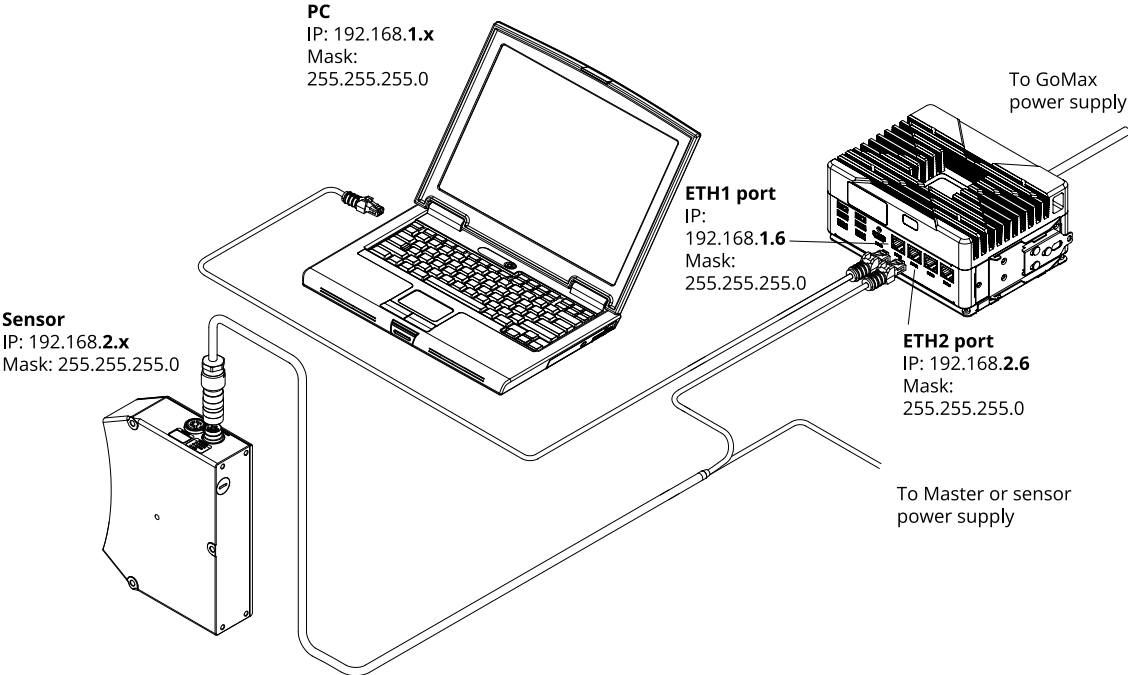
You can connect PCs and PLCs *only* to the ETH1 port. You can connect sensors to any Ethernet port. Note however that the ports must use different network IDs, for example *192.168.1.x* for PCs/PLCs and *192.168.2.x* for sensors. When sensors are connected to ETH2 and PCs and PLCs are connected to ETH1, the sensors are isolated from the rest of the devices in the system, and a PC will not be able to see a sensor when it is not accelerated. For the PC to see the sensor, you will need to connect it directly to the PC, and temporarily change the network ID of one of the devices (preferably the PC) so that they match. For information on setting the IP addresses of GoMax, see *Setting the IP Address* on page 15. For information on setting a sensor's IP address, see the sensor's user manual. For more information on using isolated layouts, see below.

The easiest way to connect and access a GoMax device is using a switch, and connecting all devices to the switch. This avoids isolating the PC and sensor, as well any PLCs you may be using.

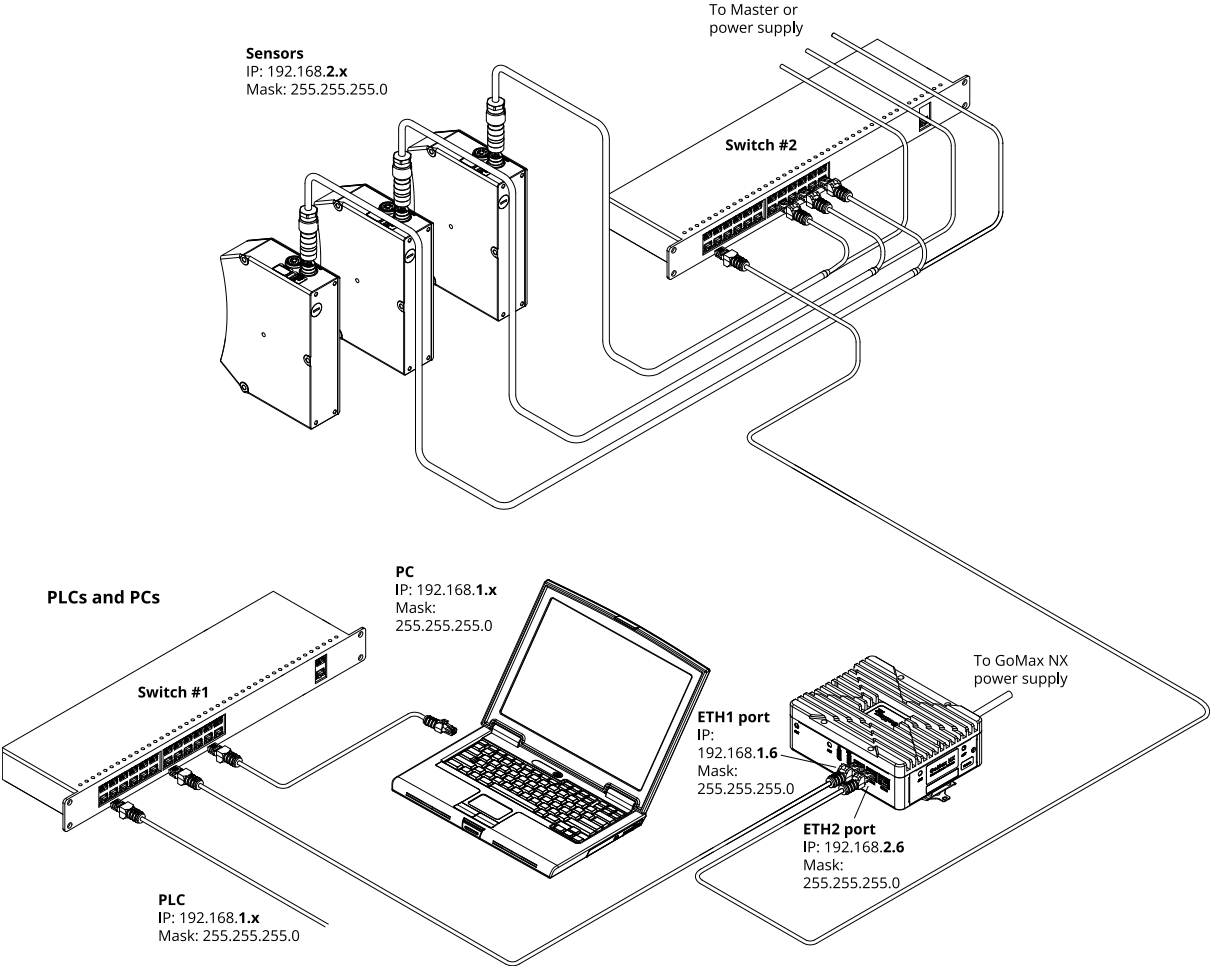


Using an isolated network can be useful if you need to control the visibility of the sensors over the network or adhere to network requirements or regulations. To access an unaccelerated sensor from the PC, you'll have to temporarily unplug it from ETH2 and connect it directly to the PC (changing the PC's network interface to match the sensor's); you'll then have to change it back after you've finished.

For simple systems (a single sensor and a PC, but no PLCs), you can connect the PC directly to the ETH1 port, and connect the sensor directly to another Ethernet port.



If you need to isolate multiple sensors from other parts of a network, you can use a second switch. Remember to connect PLCs and PCs *only* to the ETH1 port. Connect sensors to the ETH2 port.



# Using GoMax

The following sections describe how to access and configure GoMax using its web interface, how to start and stop sensor acceleration, and more.

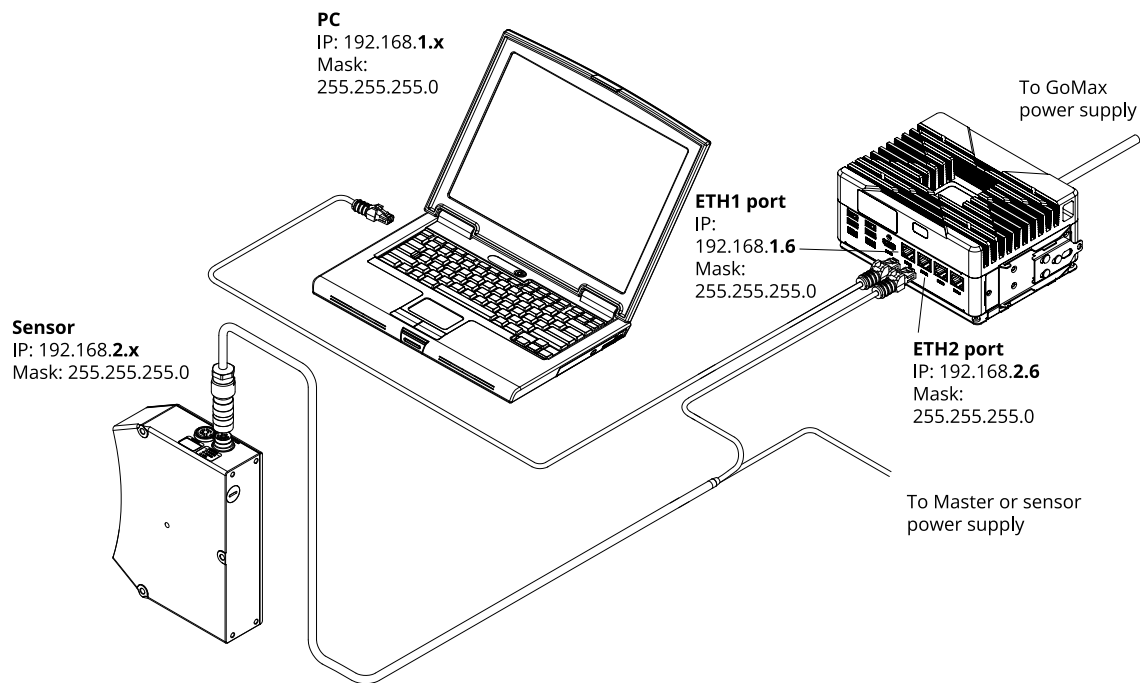
# Accessing the GoMax Unit

To access the GoMax vision accelerator's web interface, you can use a web browser. LMI recommends Chrome, Firefox, or Edge.

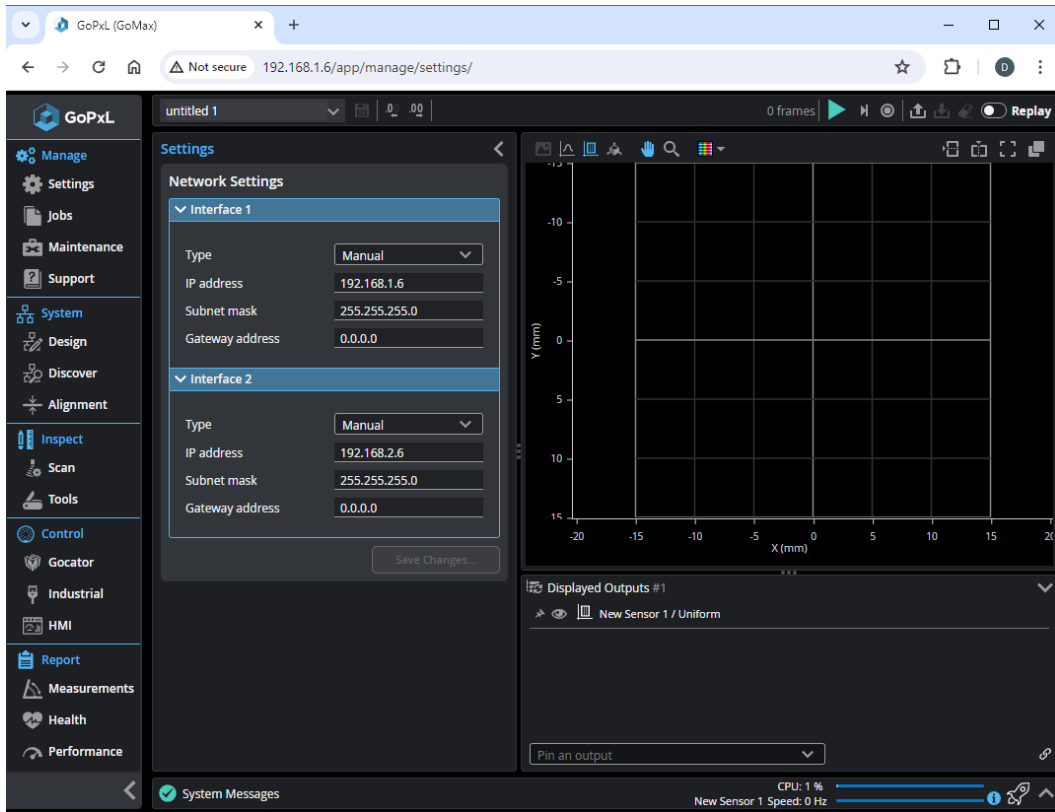
If you are unable to connect to a GoMax unit, see *Discovering a GoMax IP Address* on page 18.

To access a GoMax unit:

1. If the GoMax unit is not powered up, connect the power supply to the GoMax unit and turn it on.  
For more information, see *Connecting Power* on page 14.
2. Connect a computer to the switch using an Ethernet cable.



3. On the computer, using a web browser, connect to the GoMax web interface using the unit's IP address. The GoMax web interface is displayed. The **Settings** page is preselected.



You are now ready to start accelerating sensors; for more information, see *Starting and Stopping Acceleration* on the next page.

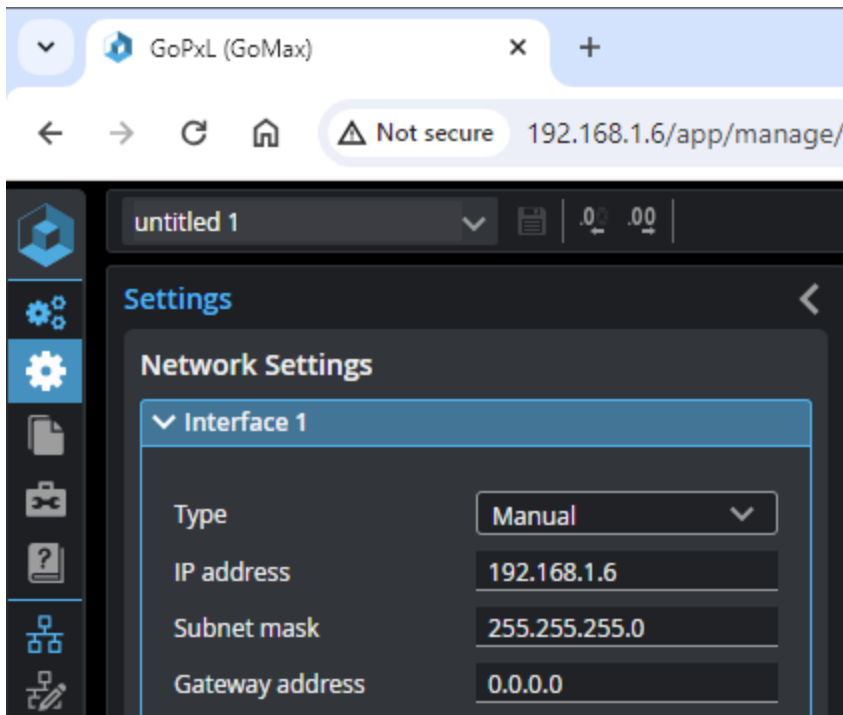
# Starting and Stopping Acceleration

## Accelerating a Sensor

You accelerate a sensor through the web interface of the GoMax unit, simply by adding the sensor to a "sensor group" in the **Design** or **Discover** page. After you have connected the sensor, GoMax automatically accelerates it. To stop acceleration, you remove it from the unit in its user interface.

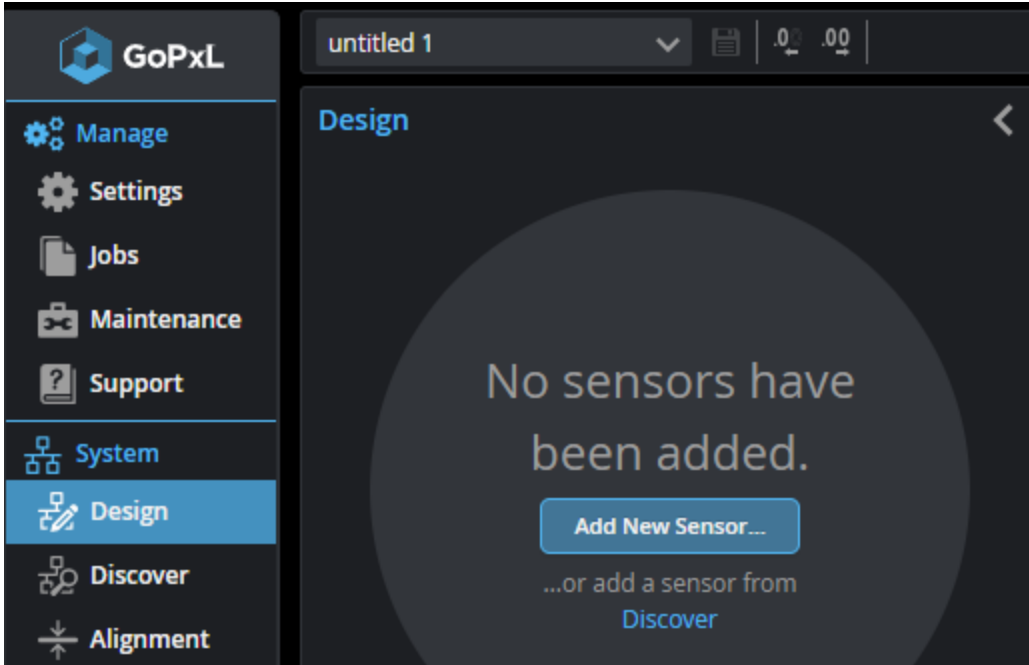
*To accelerate a sensor*

1. In your browser, connect to the GoMax unit.  
By default, the unit's IP address is 192.168.1.6.

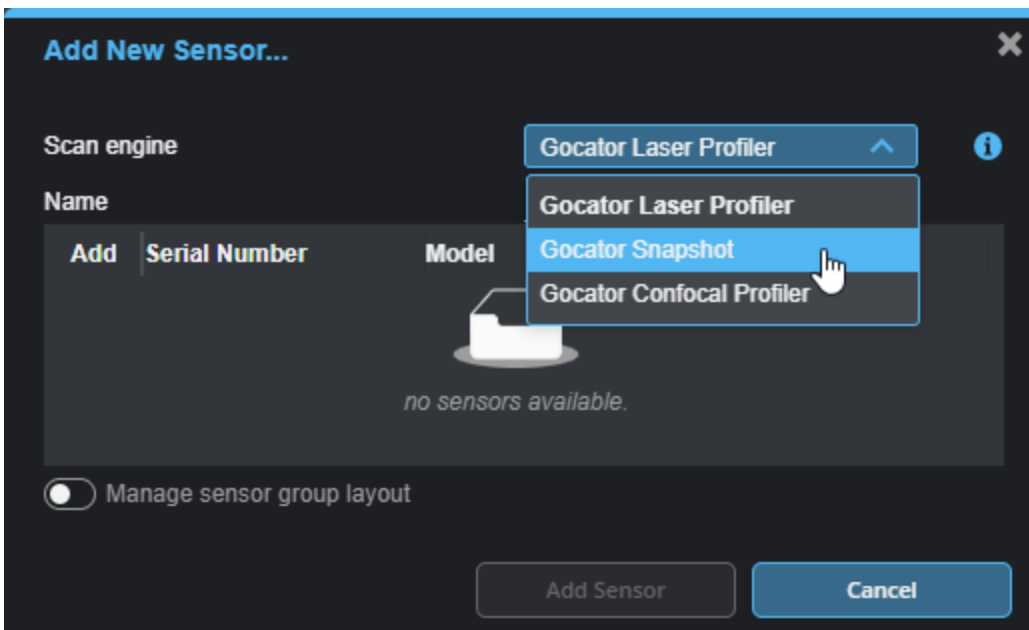


If you can't find the unit, see *Accessing the GoMax Unit* on page 26.

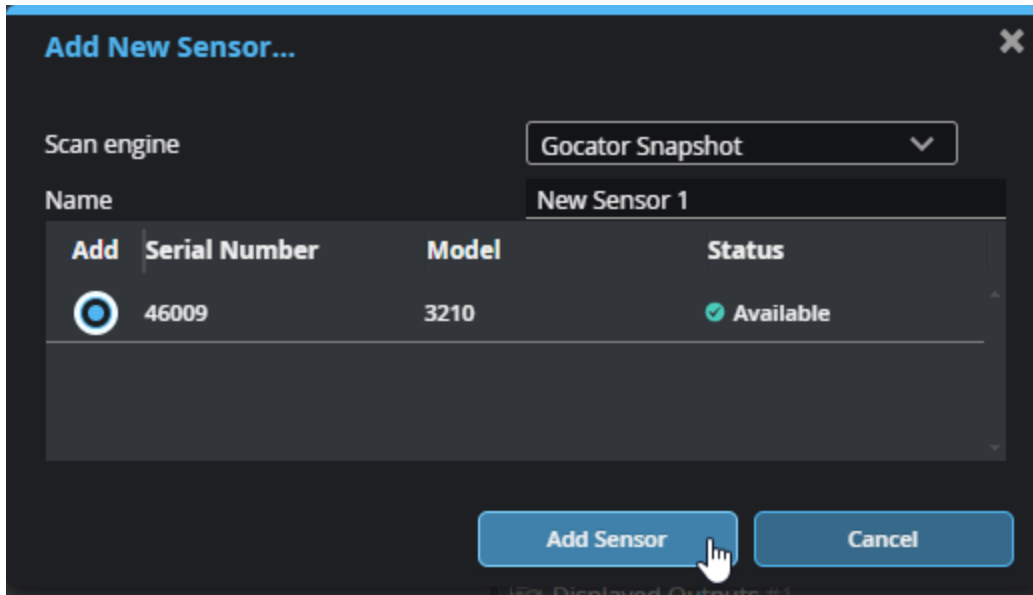
2. Go to the **System** > **Design** page and click **Add New Sensor...**



3. In **Add New Sensor**, choose the scan engine appropriate for your sensor.



4. Choose the sensor you want to add in the Add column in the table, and click **Add Sensor**.



The sensor is now added to the GoMax unit. GoMax automatically accelerates the sensor. You now control and configure the sensor through the GoMax interface, and not the sensor's interface.

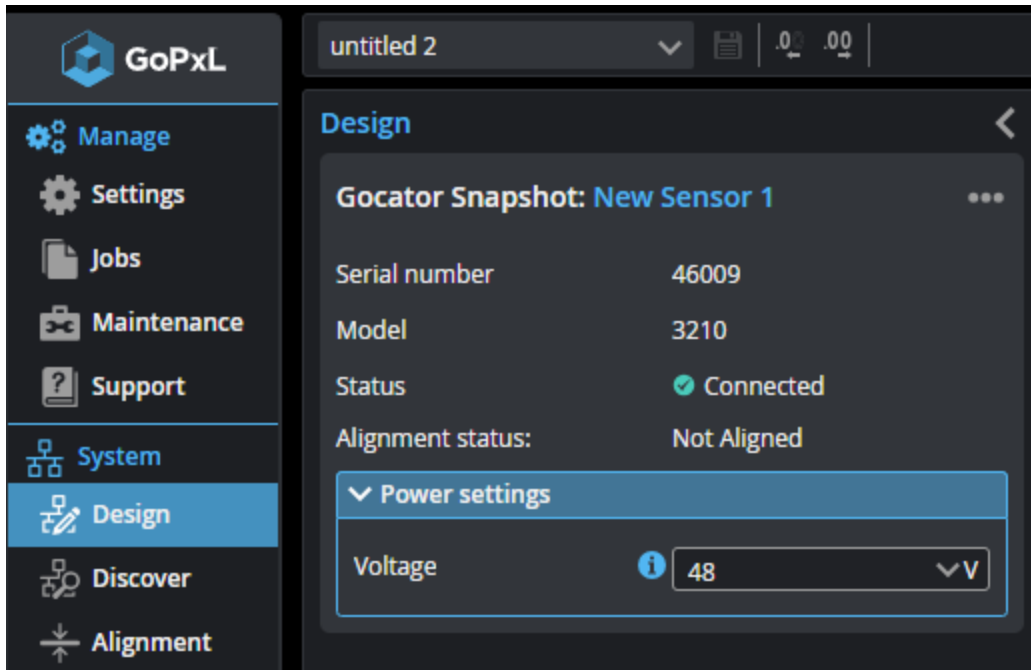


## Stopping Acceleration

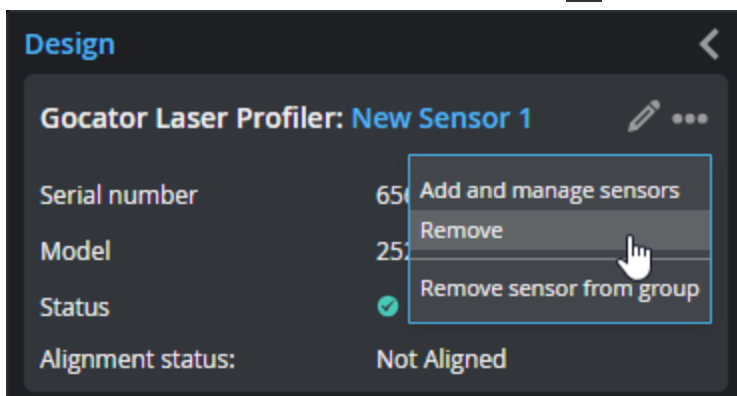
To stop accelerating a sensor, you remove it from the GoMax unit it's connected to. You also need to remove a sensor from a PC instance to upgrade the sensor's firmware.

*To stop accelerating sensors*

1. In the GoPXL interface of the GoMax, go to the **System > Design** page.



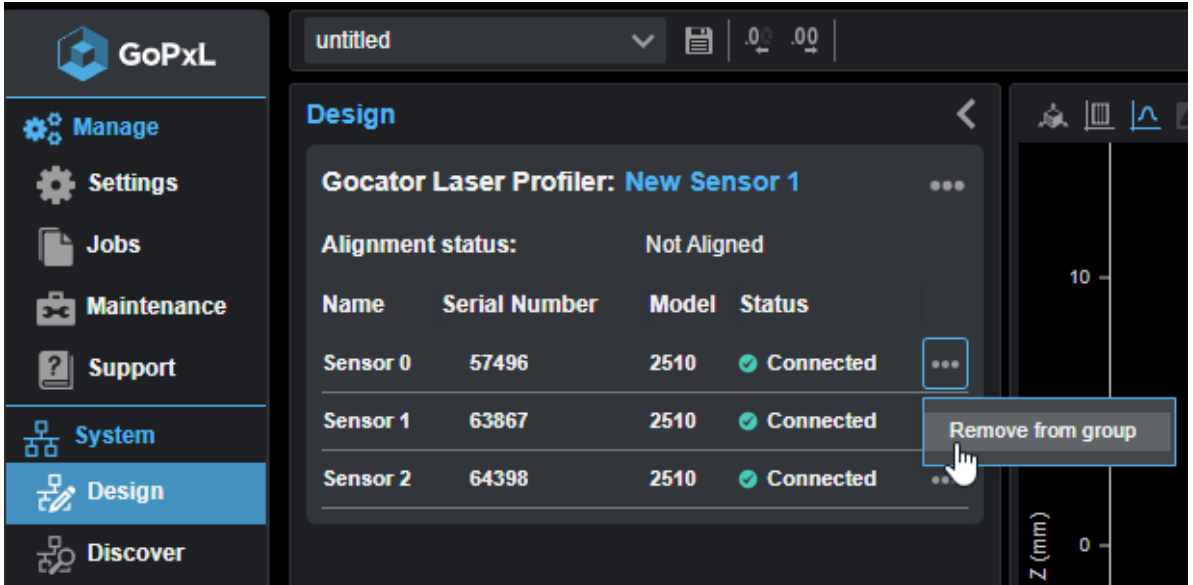
2. With single G2 sensors, click the three dots menu (⋮) and click **Remove** or **Remove sensor from group**.



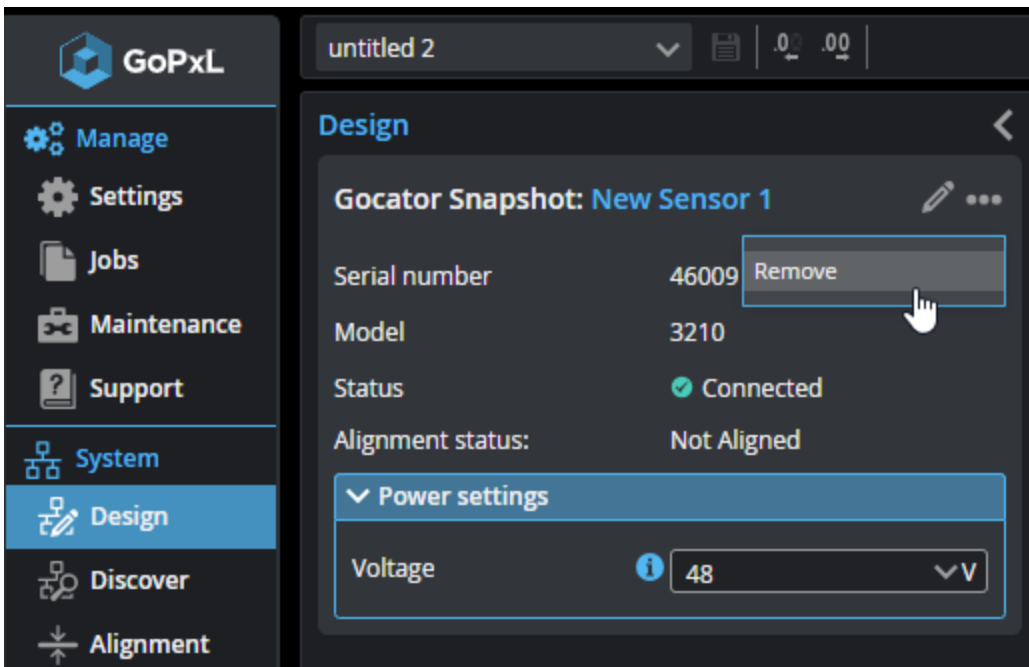
**Remove:** Choose this to remove the sensor and the sensor group containing it. If you have started configuring settings on the **Inspect > Scan** page, choose the next option instead.

**Remove sensor from the group:** Choose this if you have started configuring settings on the **Inspect > Scan** page and just need to add a different sensor to the sensor group.

3. With multi-sensor G2 systems, click the three dots menu (⋮) in the row containing the sensor you want to remove, and click **Remove from group**.



4. With G3 sensors, click the three dots menu (⋮), and choose **Remove**.



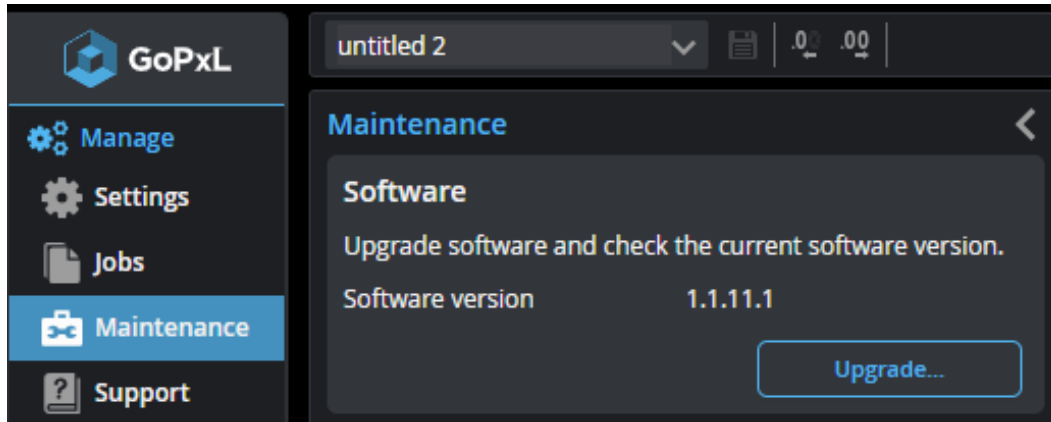
The sensor is removed from the PC instance.

# Upgrading and Restoring GoMax



GoMax NX is *only* compatible with Gocator firmware 6.1 SR1 (firmware version 6.1.29.3) and later or GoPxL 1.0 and later. Loading an earlier firmware version will make the device unusable.

You upgrade the GoMax firmware on the **Manage > Maintenance** page.



GoMax firmware is available from the LMI Product Downloads page (<https://lmi3d.com/product-downloads/>).



The version of GoPxL running on the GoMax unit and the sensors must match in order for you to be able to accelerate a sensor.



Upgrading the GoMax unit or performing a factory restore stops acceleration.

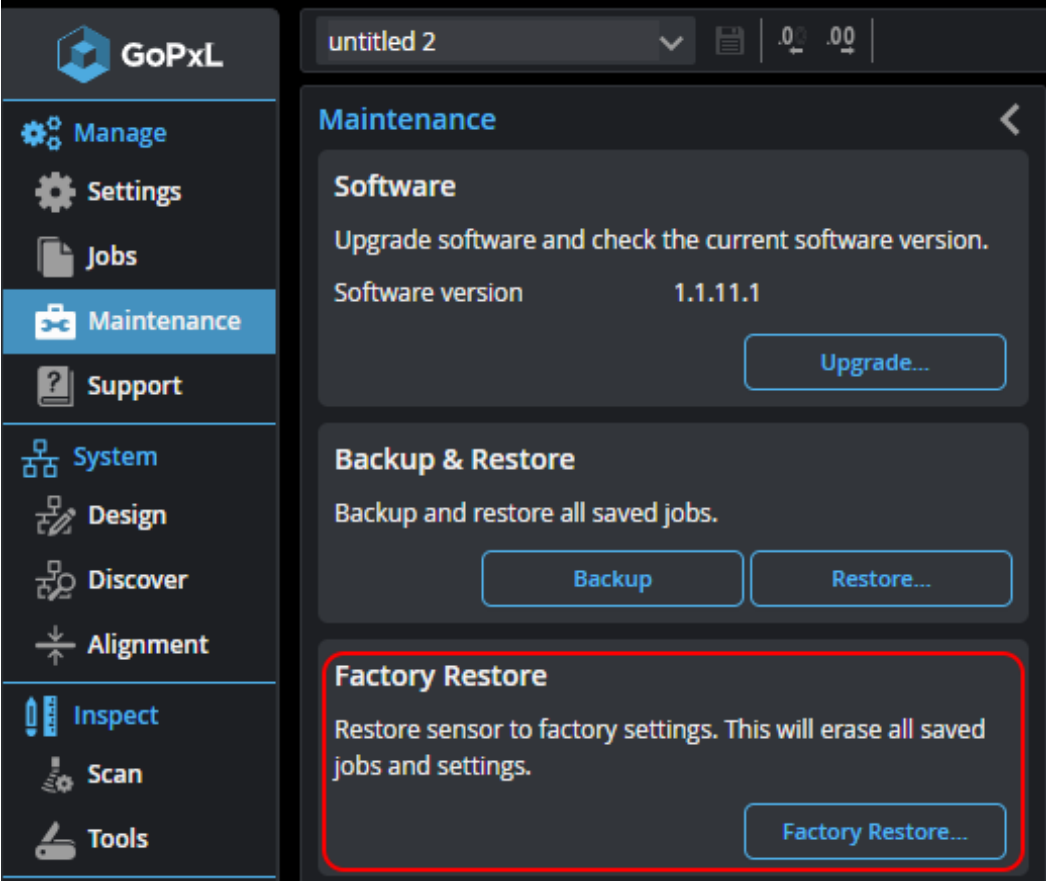


To upgrade a sensor's firmware, you must stop acceleration (remove it in the GoMax user interface), and then connect directly to the sensor's GoPxL interface to upgrade the sensor. For information on stopping acceleration, see *Stopping Acceleration* on page 30.



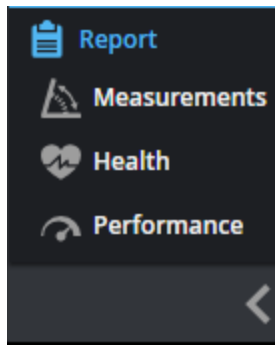
Do NOT disconnect power or the network connection from the GoMax unit while you are upgrading it.

To restore GoMax, go to **Manage > Maintenance**, and click **Factory Restore**.



# Monitoring the GoMax Health Status

Use the pages under the **Report** category to monitor the health status and other statistics.



For more information, see the GoPxL user manual.

# Specifications

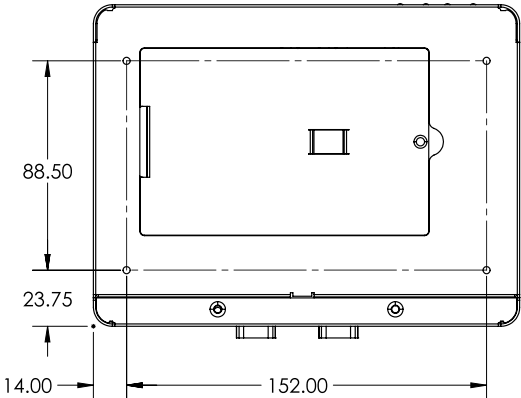
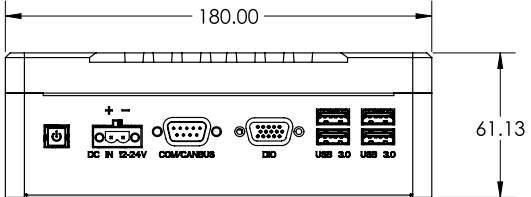
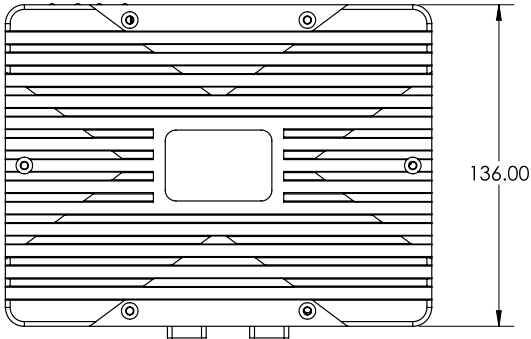
Specifications	GoMax ORIN	GoMax ORIN+
GPU Platform	NVIDIA Jetson Orin NX	NVIDIA Jetson AGX Orin
Dimensions (L x W x H) (mm)	180 x 136 x 75	210 x 164 x 74
Weight (kg)	2.5	2.9
Operating Temperature (°C)	-15 - 60	-20 - 55
Certifications	CE, FCC, UKCA, KCC, RoHS, Reach	CE, FCC, UKCA, KCC, RoHS, Reach
Mounting	DIN rail, wall mounting	DIN rail, wall mounting
CPU	8-core NVIDIA Arm® Cortex A78AE v8.2 64-bit CPU 2MB L2 + 4MB L3	12-core NVIDIA Arm® Cortex A78AE v8.2 64-bit CPU 3MB L2 + 6MB L3
Performance (tera-operations per second)	100	200
GPU	Ampere, 1024 CUDA cores, 32 Tensor cores	Ampere, 1792 CUDA cores, 56 Tensor cores
Memory	16 GB LPDDR5 onboard	32 GB LPDDR5 onboard
Storage (non-volatile)	128 GB SSD (~90 GB available as user storage)	512 GB SSD (~480 GB available as user storage)
Ethernet Ports	5x GigE	4x GigE
Power* (Max draw is without PoE)	+12 to +24 VDC, max 25W	+12 to +24 VDC, max 40W
Power Connector	Phoenix (2-pin terminal block)	Phoenix (2-pin terminal block)

---

**GoMax NX Specifications**

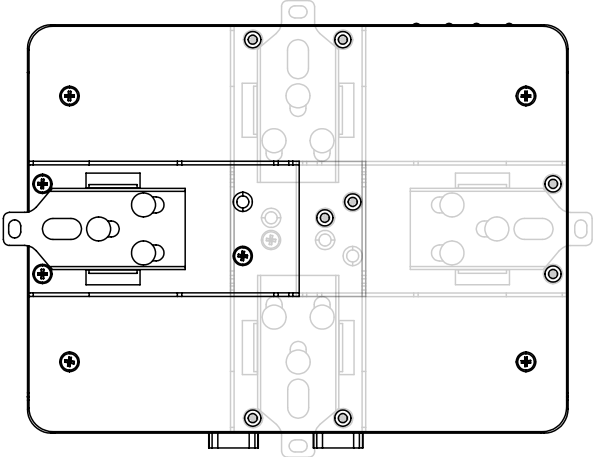
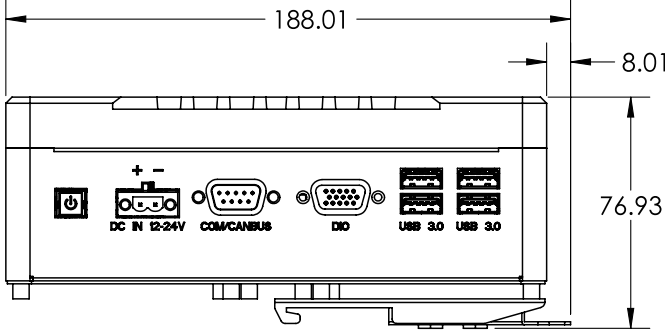
NVidia Module	Jetson Xavier NX
CPU	6-core NVidia Carmel ARM v8.2
GPU	Volta GPU, 384 CUDA cores, 48 Tensor cores
Memory	8 GB LPDDR4 onboard
Storage	16 GB eMMC onboard
Supported IO	2x Ethernet (ETH1 and ETH2)
Dimensions (mm)	180 x 136 x 61.1
Weight (kg)	2.1
Operating Temperature	-15 to 55 degrees Celsius
Input Voltage (Power)	+12 to +24 VDC (15 W)
Certifications	CE, FCC class A, RoHS, Reach
Mounting	DIN rail, wall mounting

# GoMax NX

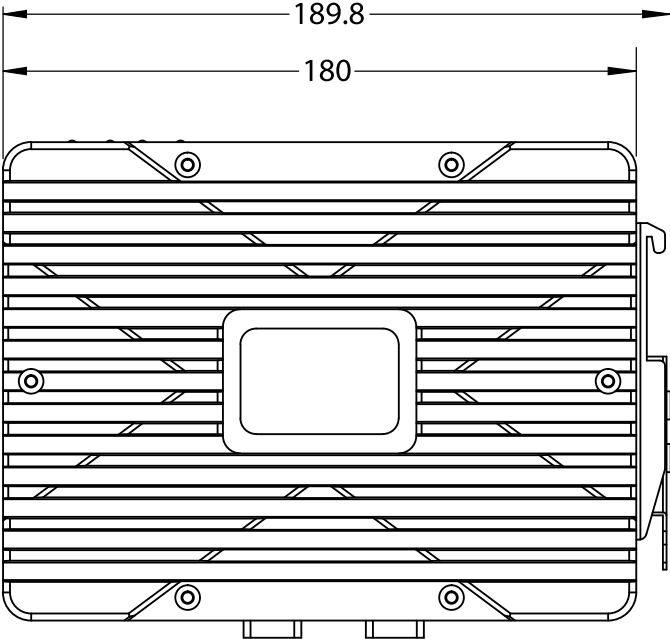


**Rear DIN rail mount dimensions**

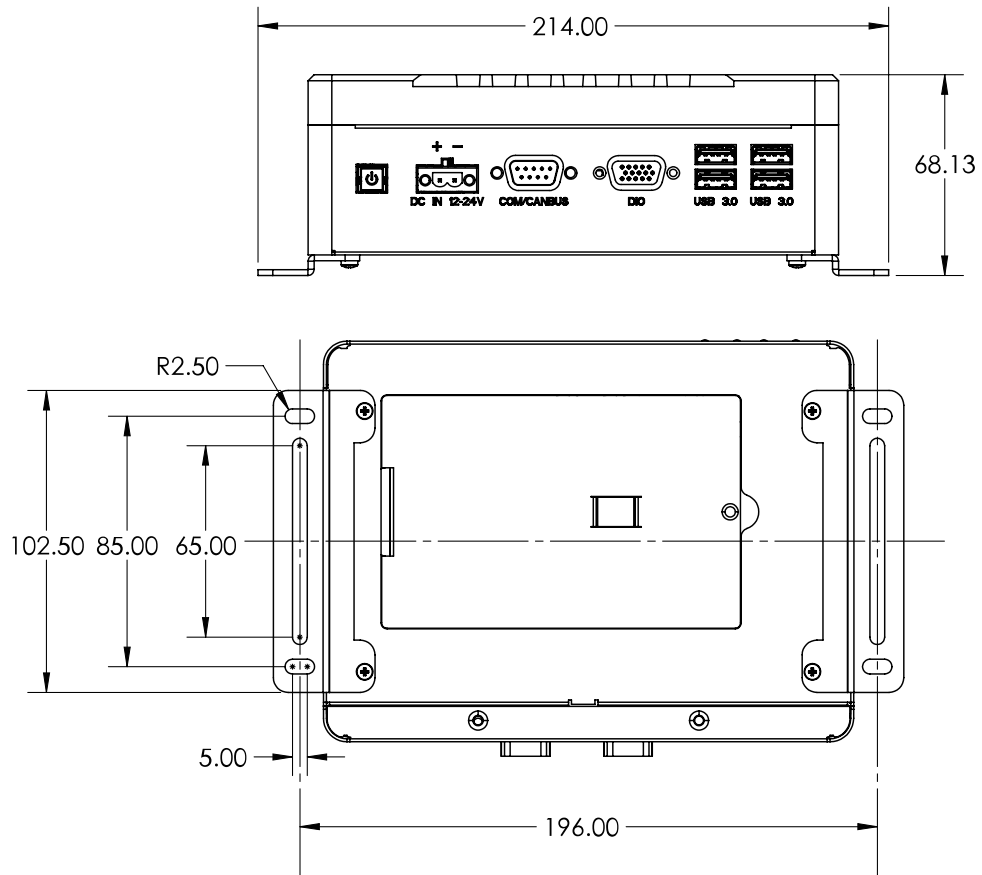
THERE ARE MULTIPLE MOUNTING POSITIONS FOR THE DIN MOUNT DEPENDING ON YOUR ANGLE REQUIREMENTS.



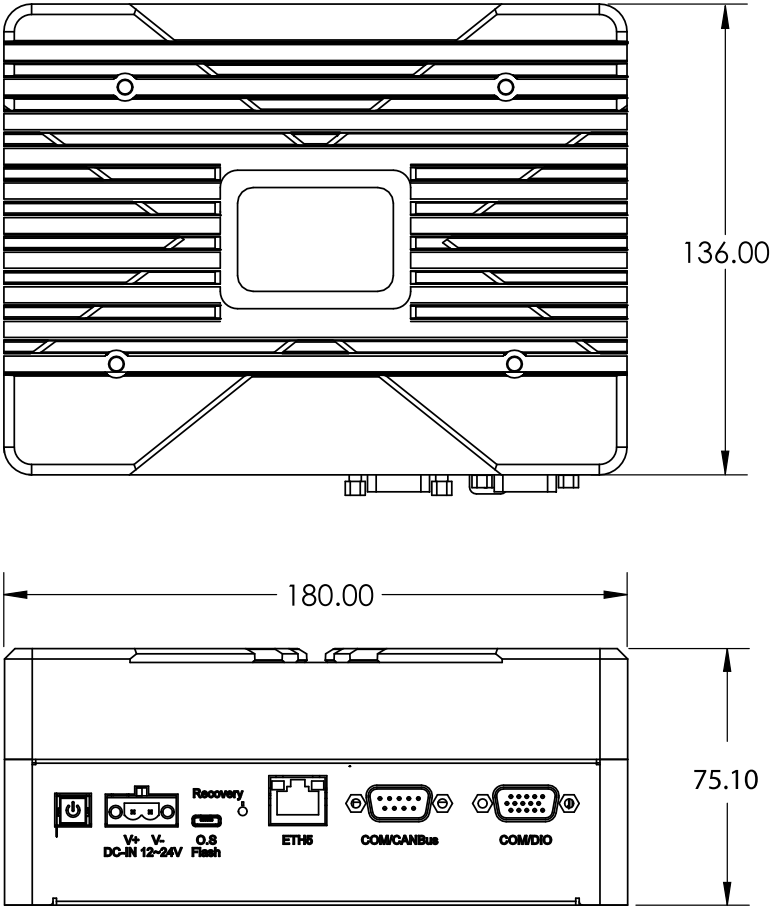
**Side DIN rail mount dimensions**



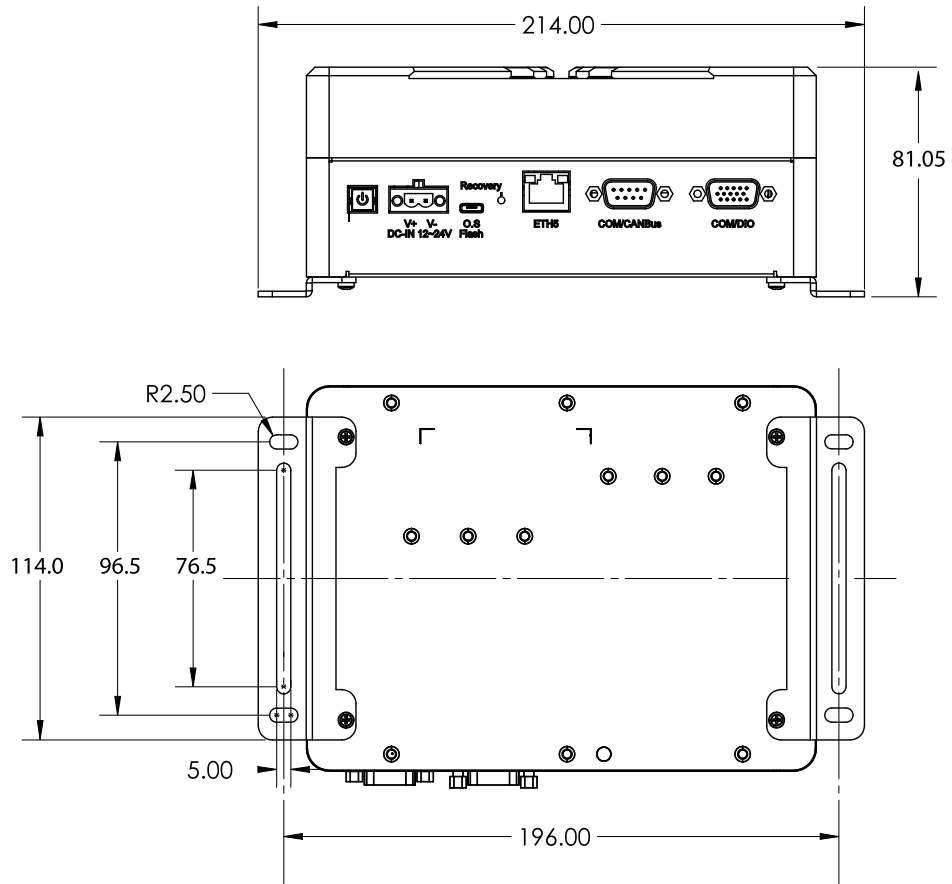
## Wall mount dimensions



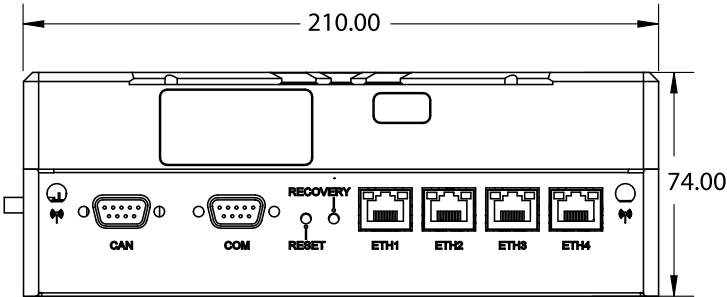
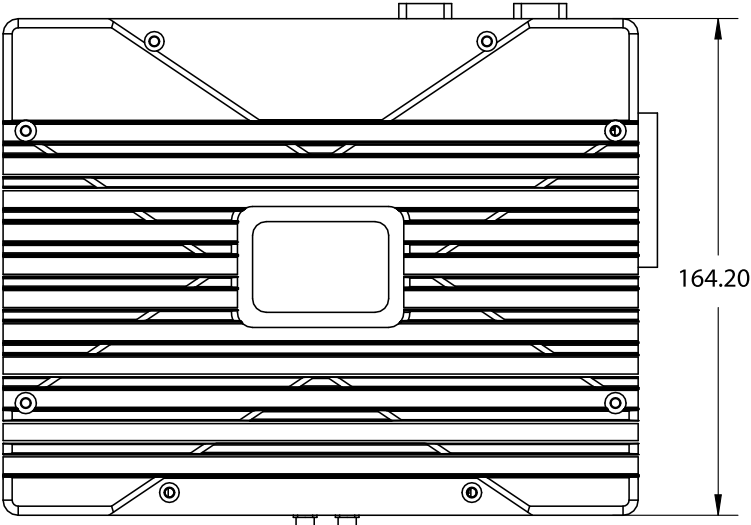
# GoMax ORIN



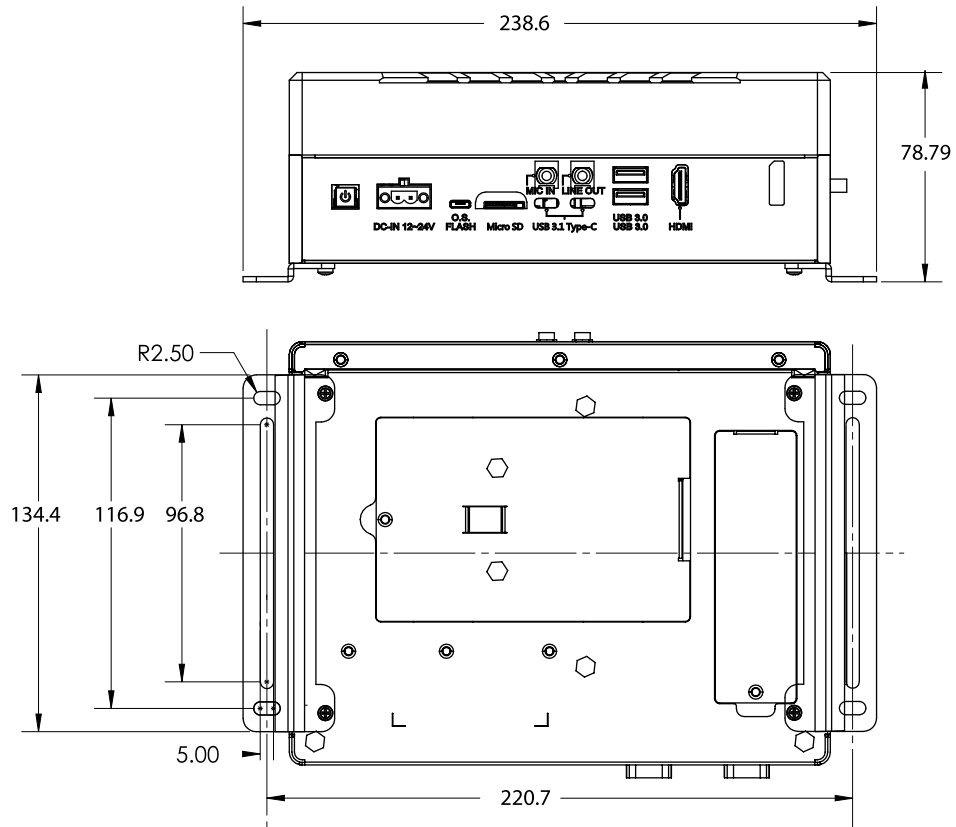
## Wall mount dimensions



# GoMax ORIN+



## Wall mount dimensions



# Troubleshooting

Review the guidance in this chapter if you are experiencing difficulty with a GoMax unit.

## **Mechanical/Environmental**

The unit is warm.

- It is normal for a GoMax unit to be warm when powered on.

## **Connection**

When attempting to connect to the GoMax unit with a web browser, the unit is not found (page does not load).

- Verify that the GoMax unit is powered on and connected to the client computer network. The power indicator LED should illuminate when it is powered.
- Check that the client computer's network settings are properly configured.
- Use IP scanning software to verify the IP address of the GoMax unit. For more information, see *Discovering a GoMax IP Address* on page 18.

## **Performance**

The CPU level is near 100%.

- Consider reducing the speed. If you are using a time or encoder trigger source, consider reducing the speed. If you are using an external input or software trigger, consider reducing the rate at which you apply triggers.
- Consider reducing the resolution of the sensors in the system.
- Review the measurements that you have programmed and eliminate any unnecessary measurements.

# Return Policy

## **Return Policy**

Before returning the product for repair (warranty or non-warranty) a Return Material Authorization (RMA) number must be obtained from LMI. Please call LMI to obtain this RMA number.

Carefully package the GoMax unit in its original shipping materials (or equivalent) and ship the unit prepaid to your designated LMI location. Please ensure that the RMA number is clearly written on the outside of the package. Inside the return shipment, include the address you wish the shipment returned to, the name, email and telephone number of a technical contact (should we need to discuss this repair), and details of the nature of the malfunction. For non-warranty repairs, a purchase order for the repair charges must accompany the returning unit.

LMI Technologies Inc. is not responsible for damages to a unit that are the result of improper packaging or damage during transit by the courier.

# Software Licenses

## **jQuery**

Website:

<http://jquery.com/>

License:

Copyright (c) 2011 John Resig, <http://jquery.com/>

Permission is hereby granted, free of charge, to any person obtaining a copy of this software and associated documentation files (the "Software"), to deal in the Software without restriction, including without limitation the rights to use, copy, modify, merge, publish, distribute, sublicense, and/or sell copies of the Software, and to permit persons to whom the Software is furnished to do so, subject to the following conditions:

The above copyright notice and this permission notice shall be included in all copies or substantial portions of the Software.

THE SOFTWARE IS PROVIDED "AS IS", WITHOUT WARRANTY OF ANY KIND, EXPRESS OR IMPLIED, INCLUDING BUT NOT LIMITED TO THE WARRANTIES OF MERCHANTABILITY, FITNESS FOR A PARTICULAR PURPOSE AND NONINFRINGEMENT. IN NO EVENT SHALL THE AUTHORS OR COPYRIGHT HOLDERS BE LIABLE FOR ANY CLAIM, DAMAGES OR OTHER LIABILITY, WHETHER IN AN ACTION OF CONTRACT, TORT OR OTHERWISE, ARISING FROM, OUT OF OR IN CONNECTION WITH THE SOFTWARE OR THE USE OR OTHER DEALINGS IN THE SOFTWARE.

## **jQuery.CopyEvents**

Website:

<http://brandonaaaron.net>

License:

Copyright (c) 2006 Brandon Aaron

Licensed under the MIT License (<http://www.opensource.org/licenses/mit-license.php>)

## **jQuery.history**

License:

jQuery history plugin

Copyright (c) 2006 Taku Sano (Mikage Sawatari)

Licensed under the MIT License (<http://www.opensource.org/licenses/mit-license.php>)

Modified by Lincoln Cooper to add Safari support and only call the callback once during initialization for msie when no initial hash supplied. API rewrite by Lauris Bukis-Haberkorns

### **jQuery.mouseWheel**

Website:

<http://brandonaron.net>

License:

Copyright (c) 2010 Brandon Aaron

Licensed under the MIT License (<http://www.opensource.org/licenses/mit-license.php>)

### **jQuery.scaling**

Website:

<http://eric.garside.name>

License:

Scaling 1.0 - Scale any page element

Copyright (c) 2009 Eric Garside

Licensed under the MIT License (<http://www.opensource.org/licenses/mit-license.php>)

### **jQuery.scrollFollow**

Website:

<http://kitchen.net-perspective.com/>

License:

Copyright (c) 2008 Net Perspective

Licensed under the MIT License (<http://www.opensource.org/licenses/mit-license.php>)

**node**

Website:

<https://github.com/nodejs/node>

License:

<https://github.com/nodejs/node/blob/master/LICENSE>

# Support

For help with a component or product, please submit an online support ticket using LMI's [Help Desk](http://support.lmi3d.com/newticket.php) at <http://support.lmi3d.com/newticket.php>.

If you are unable to use the Help Desk or prefer to contact LMI by phone or email, use the contact information below.



Response times for phone or email support requests are longer than requests submitted through the Help Desk.

## North America

---

Phone	+1 604 636 1011
Fax	+1 604 516 8368
Email	support@lmi3d.com

---

## Europe

---

Phone	+31 45 850 7000
Fax	+31 45 574 2500
Email	support@lmi3d.com

---

For more information on safety and laser classifications, please contact:

*U.S. Food and Drug Administration  
Center for Devices and Radiological Health  
W066-G609  
10903 New Hampshire Avenue  
Silver Spring MD 20993-0002  
USA*

# Contact

<b>Americas</b>	<b>EMEAR</b>	<b>ASIA PACIFIC</b>
LMI Technologies (Head Office) Burnaby, Canada +1 604 636 1011	LMI Technologies GmbH Berlin, Germany +49 (0)3328 9360 0	LMI (Shanghai) Trading Co., Ltd. Shanghai, China +86 21 5441 0711

LMI Technologies has sales offices and distributors worldwide. All contact information is listed at [lmi3d.com/contact/locations](https://lmi3d.com/contact/locations).